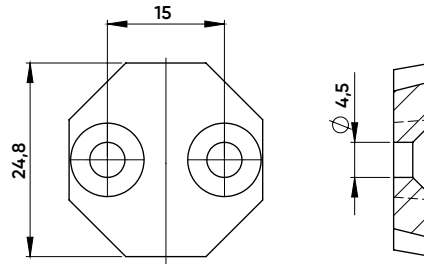
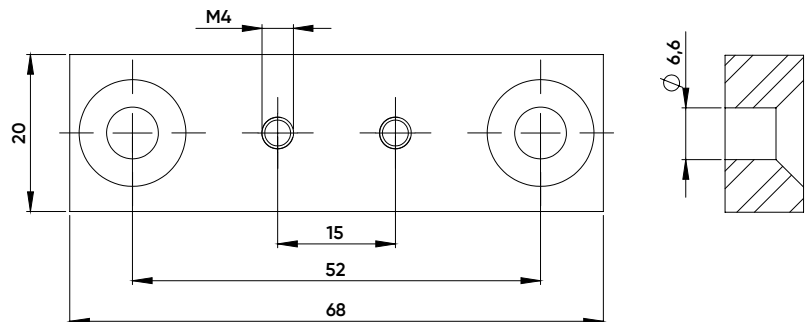


SOLIDGrip

Spare parts and accessories



Suitable for ident-no.	681085-46-MMT/ 681120-46-MMT/ 681085-77-MMT 681120-77-MMT/ 691065-46-MMT
Ident-no.	6900023



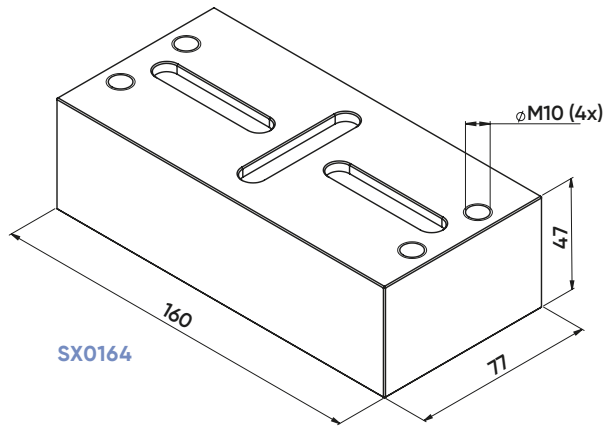
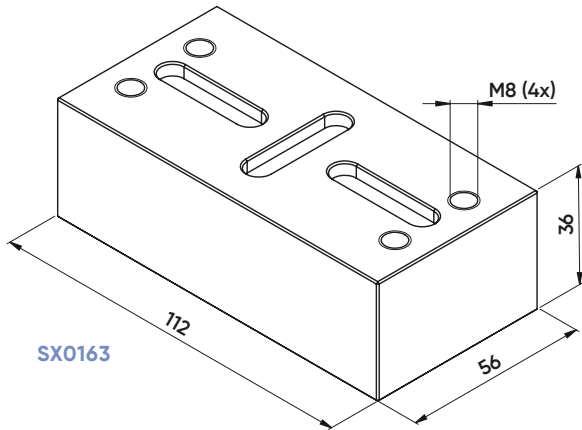
Suitable for ident-no.	681085-46-MMT/ 681120-46-MMT/ 681085-77-MMT 681120-77-MMT/ 691065-46-MMT
Ident-no.	6900024



Suitable for ident-no.	691065-46-MMT	681085-46-MMT/ 681120-46-MMT/ 681085-77-MMT/ 681120-77-MMT
Ident-no.	0.01.83.0131	0.01.83.0141

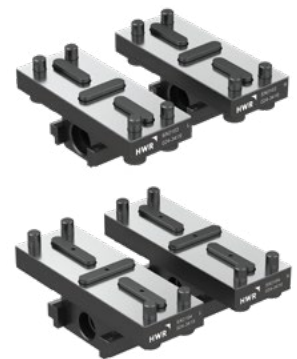
SOLIDGrip – Accessories

Profilo Base Jaws



Profilo Base Jaws

Ident-no.	SX0163	SX0164
Suitable for body width	mm 77	125
Suitable to vice	SOLIDClick 77 SOLIDGrip 77	SOLIDClick 125 SOLIDGrip 125



Profilo Soft Jaws

Ident-no.	SX0163-03	SX0164-03
Width x height x length	mm 77 x 44 x 66	77 x 64 x 66
Material	16MnCr5	16MnCr5
Suitable to base-jaw	Profilo 77	Profilo 125
Suitable to base-jaw	Ident-no. 682000-77	682000-77



Preset Torque Wrench

Ident-no.	QSP140N3-100	QSP140N3-70	QSP100N4-3/8-45	QSP50N3-30
Max. Torque	140Nm	140Nm	100Nm	50Nm
Pre-set Torque	100Nm	70Nm	45Nm	30Nm
Drive Size	1/2"	1/2"	3/8"	3/8"



High End Sockets

Ident-no.	31501-T	31201	20801	930
Hex Size	15mm	12mm	8mm	Required to adjust Torque Wrench settings
Drive Size	1/2"	1/2"	3/8"	

Adjustment Key