



Das **INOZet**[®] - Pendelsystem kann auf nahezu jedes vorhandene 3-Backen-Futter ab einer Durchmessergröße von 210 mm adaptiert werden.

The **INOZet**[®] pendulum system can be adapted to almost any existing 3-jaw chuck from a diameter of 210 mm.

INOZet®

Die perfekte Drehung

The perfect turn

SICHER & FLEXIBEL

Herausragende Drehergebnisse und erhebliche Kostenersparnis! Mit **INOZet®** machen Sie aus Ihrem herkömmlichen 3-Backen-Futter im Handumdrehen ein extrem flexibles, ausgleichendes 6-Backen-Futter. Sowie aus einem ausgleichenden **INOFlex®** 4-Backenfutter ein ausgleichendes 8-Backen-Futter.

- Verdoppelung der Spannstellen des vorhandenen Spannfutters
- Ausgleichende sowie starre Spannung
- Ein Satz Spannbacken für den gesamten Futter-Spannbereich
- Ideal zur Bearbeitung von verformungsempfindlichen Bauteilen
- Herausragende Rundheitsergebnisse
- Sehr leichte Handhabung

SAFE & FLEXIBLE

Outstanding turning results and considerable cost savings! INOZet® turns your conventional 3-jaw chuck into an extremely flexible, compensating 6-jaw chuck in next-to-no time. And from a compensating INOFlex® 4-jaw chuck a compensating 8-jaw chuck.

- Doubling of the clamping points of the existing chuck
- Compensating and fixed clamping
- One set of top-jaws for the whole chuck clamping range
- Ideal for machining deformation sensitive parts
- Outstanding roundness results
- Easy to handle



Maximale Flexibilität

Maximum flexibility

AUSGEZEICHNETE TECHNIK

Das innovative Spannsystem **INOZet®** wurde 2010 der Öffentlichkeit vorgestellt und auf der Nortec in Hamburg mit dem NORTEC Award ausgezeichnet.

Seitdem steigt die Zahl der Anwender stetig an. Insbesondere beim Spannen von verformungsempfindlichen Bauteilen, unrunder Rohteile oder Bauteilen mit Verzug durch thermische Behandlung, bietet das **INOZet®**-Spannsystem entscheidende Vorteile.

Mit **INOZet®** hat HWR es geschafft, einen neuen Stand der Technik zu definieren: Aus einem vorhandenen 3- oder 4-Backen-Futter wird im Handumdrehen ein ausgleichendes 6- bzw. 8-Backen-Futter. Durch die pendelnde Lagerung wirken die Pendelbrücken ausgleichend und ermöglichen so eine verformungsarme 6- bzw. 8-Punkt-Spannung. Durch die Verdopplung der Spannstellen wird der Spanndruck gleichmäßiger in das Werkstück eingeleitet und die Polygonbildung entscheidend verringert.



PATENT

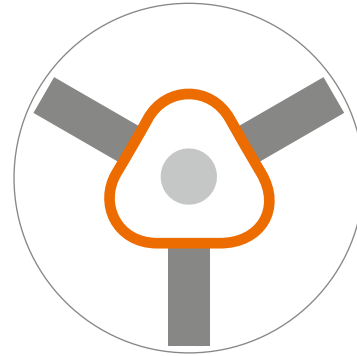
**NORTEC
AWARD**

OUTSTANDING TECHNOLOGY

*The innovative **INOZet®** clamping system was presented to the public in 2010 and honoured with the NORTEC Award at the Nortec in Hamburg.*

*Since then there has been a continuous increase in the number of users. The **INOZet®** clamping system offers crucial advantages particularly when clamping deformation-sensitive parts, out-of-round components or parts deformed by thermal treatment.*

*With **INOZet®**, HWR has redefined the state of the art in technology : an existing 3- or 4-jaw chuck ist turned into a compensating 6- or 8-jaw chuck in next-to-no time. The pendulum mechanism gives the pendulum bridges a compensating effect, thus permitting low-deformation 6- or rather 8-point-clamping. Doubling the number of clamping points ensures that the clamping pressure is introduced more evenly into the workpiece, with a crucial reduction in polygon formation.*



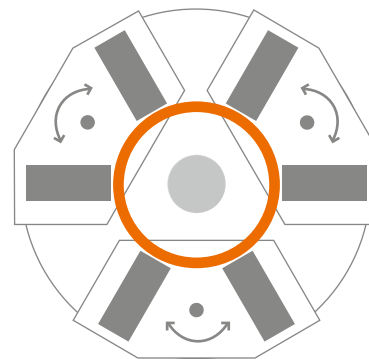
Herkömmliche 3-Punkt-Spannung
Conventional 3-point clamping

DAS FUNKTIONSPRINZIP

Die pendelnde Lagerung ermöglicht einen Ausgleich unter den einzelnen 6 Backen. Dadurch können sich alle Spannungspunkte gleichmäßig und mit gleicher Kraft an das Werkstück anlegen. Spannsysteme mit mehr als drei Spannungspunkten ohne entsprechenden Ausgleich bilden eine überbestimmte Spannsituation und bringen insbesondere Werkstücke mit dünnen Wandstärken in eine Zwangslage mit hohem Verformungsanteil. Dieser Nachteil besteht bei **INOZet®** durch den Einsatz der Pendelmechanik nicht. Durch die Verzahnung auf der Oberseite können mit einem Satz (6 Stück) Aufsatzbacken Werkstücke im gesamten Futterdurchmesser gespannt werden. Der Einsatz von harten Backen für die Rohteilbearbeitung als auch der Einsatz von auge drehten weichen Backen für die zweite Operation ist gleichermaßen möglich.

HOW IT WORKS

*The oscillating system allows compensation under the 6 jaws while still clamping centrally. The compensation allows all clamping points to contact the workpiece evenly and with the same force to the workpiece. Clamping systems with more than three clamping points without compensation leads to an over-determined clamping situation and particularly bring thinwalled workpieces into a forced position with a high proportion of deformation. This disadvantage does not exist with **INOZet®** by using the compensation technic. Due to the serration on the upper side of the pendulums, workpieces can be clamped in the entire chuck diameter range with one set of top jaws (6 pieces). Only a single set of jaws is required for small and large diameters as well as for internal and external clamping. The use of hard jaws for rough machining as well as the use of turned soft jaws for the second operation is equally possible.*



Die **INOZet®**-6-Punkt-Spannung
6-point clamping with **INOZet®**

INOZet®

Futterspezifische Daten

Chuck specific data

Technische Daten siehe Seite 69–71
Technical data see pages 69–71

INOZet® Aufsatzbacken siehe Seite 74–75
INOZet® top-jaws see pages 74–75

Futterhersteller chuck manufacturer	Futtertyp chuck type	Futtergröße chuck size	Backenanschluss des Futters jaw-connection of the chuck		INOZet® Bezeichnung INOZet® description	Ident-Nr. ident-no.	** Nutenstein *** Grundbacke ** t-Nut *** base-jaw
			ø mm	S mm/ V			
Auto Strong	N-208	210	V = 1,5mm x 60°	N = 14	WT021-WV04	750098	WN12
	V-208		V = 1,5mm x 60°	N = 14	WT021-WV04	750098	WN10
	N-210	254	V = 1,5mm x 60°	N = 16	WT025-WV05	750058	GP11
	V-210		V = 1,5mm x 60°	N = 16	WT025-WV05	750058	GP10
	N-212	304	V = 1,5mm x 60°	N = 21	WT031-WV17	750156	TT65
	V-212		V = 1,5mm x 60°	N = 18	WT031-WV10	750060	GP12
	N-215	381	V = 1,5mm x 60°	N = 22	WT038-WV21	750157	GP15
	V-215		V = 1,5mm x 60°	N = 22	WT038-WV21	750157	GP15
	N-218	450	V = 1,5mm x 60°	N = 22	WT045-WV32	750158	GP15
	V-218		V = 1,5mm x 60°	N = 22	WT045-WV32	750158	X5507
	N-220	510	V = 3mm x 60°	N = 25	WT053-WV40	750072	GP21
	N-224	610	V = 3mm x 60°	N = 25	WT063-WV42	750094	GP21
	V-224		V = 3mm x 60°	N = 25	WT063-WV42	750094	GP21
	V-232	810	V = 3mm x 60°	N = 25	WT080-WV46	750080	GP21
Berg	KH 250	250	V = 1/16" x 90°	N = 16	WT025-WV52	750101	WN25
	KH 315	315	V = 1/16" x 90°	N = 16	WT031-WV67	750160	GB16 / GC16S
	KH 400	400	V = 3/32" x 90°	N = 20	WT040-WV72	750132	**
	KH 500	500	V = 3/32" x 90°	N = 20	WT050-WV86	750150	**
Bison	3200 / 3500 - 200	200	S = 10	N = 16	WT022-WK02	750045	***
	3200 / 3500 - 250	250	S = 12	N = 20	WT025-WK05	750057	***
	3200 / 3500 - 315	315	S = 12	N = 20	WT031-WK10	750054	***
	3200 / 3500 - 400	400	S = 12	N = 26	WT040-WK20	750137	X8936
	3200 / 3500 - 500	500	S = 12,7	N = 19,03	WT050-WK34	705106	
	3200 / 3500 - 630	630	S = 12,7	N = 19,03	WT063-WK38	750116	
	3200 / 3500 - 800	800	S = 12,7	N = 19,05	WT080-WK47	750102	

Futterhersteller chuck manufacturer	Futtertyp chuck type	Futtergröße chuck size	Backenanschluss des Futters jaw-connection of the chuck		INOZet® Bezeichnung INOZet® description	Ident-Nr. ident-no.	** Nutenstein *** Grundbacke ** t-Nut *** base-jaw
			ø mm	S mm/ V			
Forkardt	F+ 200	200	S = 10	N = 20	WT022-WK02	750045	MFI200
	FNC 200		S = 10	N = 20	WT022-WK02	750045	MFI200
	KTG / KTN 200		V = 1/16" x 90°	N = 17	WT021-WV03	750114	GN50
	NH / NHF 200		V = 1/16" x 90°	N = 17	WT021-WV03	750114	GN50
	QLC / QLK 200		V = 1,5mm x 60°	N = 14	WT021-WV04	750098	GF17
	QLC-KS / QLK-KS 200		V = 1/16" x 90°	N = 17	WT021-WV03	750114	GN50
	F+ 250	250	S = 12	N = 20	WT025-WK05	750057	
	FNC 250		S = 12	N = 20	WT025-WK05	750057	
	KTG / KTN 250		V = 1/16" x 90°	N = 21	WT025-WV57	750162	GN25
	KTNC 250		S = 12	N = 20	WT025-WK05	750057	
	NH / NHF 250		V = 1/16" x 90°	N = 21	WT025-WV57	750162	GN25
	QLC / QLK 250		V = 1,5mm x 60°	N = 16	WT025-WV05	750058	GP11
	QLC / QLK 250	315	V = 1/16" x 90°	N = 21	WT025-WV57	750162	GN25
	QLC-KS / QLK-KS 250		V = 1,5mm x 60°	N = 16	WT025-WV05	750058	
	QLC-KS / QLK-KS 250		V = 1/16" x 90°	N = 17	WT025-WV50	750059	GN16
	F+ 315		S = 12	N = 26	WT031-21-WK15	750091	
	FNC 315		S = 12	N = 20	WT031-WK10	750054	
	KTG / KTN 315		V = 1/16" x 90°	N = 21	WT031-WV62	750159	GN25
	KTNC 315	400	S = 12	N = 20	WT031-WK10	750054	
	NH / NHF 315		V = 1/16" x 90°	N = 21	WT031-WV62	750159	GN25
	QLC / QLK 315		V = 1,5mm x 60°	N = 21	WT031-WV17	750156	TT65
	QLC / QLK 315		V = 1/16" x 90°	N = 21	WT031-WV62	750159	GN25
	F+ 400		S = 18	N = 30	WT040-20-WK25	750138	
	FNC 400		S = 12	N = 26	WT040-WK20	750137	
	KTG / KTN 400	500	V = 3/32" x 90°	N = 25,5	WT040-WV77	750161	GN40
	KTNC 400		S = 12	N = 26	WT040-WK20	750137	
	NHF 400		V = 1/16" x 90°	N = 21	WT040-WV71	750140	**
	NHF 400		V = 3/32" x 90°	N = 25,5	WT040-WV77	750161	GN40
	QLC / QLK 400		V = 1,5mm x 60°	N = 21	WT040-WV27	750139	GN25
	QLC / QLK 400		V = 1/16" x 90°	N = 21	WT040-WV71	750140	GN25
	QLC / QLK 400	500	V = 3/32" x 90°	N = 25,5	WT040-WV77	750161	GN40
	QLC-KS / QLK-KS 400		V = 1,5mm x 60°	N = 21	WT040-WV27	750139	GN25
QLC-KS / QLK-KS 400	V = 1/16" x 90°		N = 21	WT040-WV71	750140	GN25	
F+ 500	S = 18		N = 30	WT050-WK30	750070		
FNC 500	S = 18		N = 30	WT050-WK30	750070		
KTG / KTN 500	V = 3/32" x 90°		N = 25,5	WT050-WV85	750056	GN40	

INOZet®

Futterspezifische Daten Chuck specific data

Technische Daten siehe Seite 69–71
Technical data see pages 69–71

INOZet® Aufsatzbacken siehe Seite 74–75
INOZet® top-jaws see pages 74–75

Futterhersteller <i>chuck manufacturer</i>	Futtertyp <i>chuck type</i>	Futtergröße <i>chuck size</i>	Backenanschluss des Futters <i>jaw-connection of the chuck</i>		INOZet® Bezeichnung <i>INOZet® description</i>	Ident-Nr. <i>ident-no.</i>	** Nutenstein *** Grundbacke ** t-Nut *** base-jaw
			ø mm	S mm/ V			
Forkardt	KTNC 500	500	S = 18	N = 30	WT050-WK30	750070	
	NHF 500		V = 3/32" x 90°	N = 25,5	WT050-WV85	750056	GN40
	F+ 630	630	S = 24	N = 40	WT063-WK40	750077	
	FNC 630		S = 18	N = 30	WT063-WK35	750075	
	KTG / KTN 630		V = 3/32" x 90°	N = 25,5	WT063-WV90	750051	GN40
	NHF 630		V = 3/32" x 90°	N = 25,5	WT063-WV90	750051	GN40
HWR	VD026	260	V = 1,5mm x 60°	N = 16	WT025-4-WV02	750163	WN26
	VK026		V = 1,5mm x 60°	N = 16	WT025-4-WV02	750163	WN26
	VK-S 026		V = 1,5mm x 60°	N = 16	WT025-4-WV02	750163	WN26
	VT026		V = 1,5mm x 60°	N = 16	WT025-4-WV02	750163	WN26
	VT-S 026		V = 1,5mm x 60°	N = 16	WT025-4-WV02	750163	WN26
	VD031	315	V = 1,5mm x 60°	N = 16	WT031-4-WV05	750164	GP11
	VK031		V = 1,5mm x 60°	N = 16	WT031-4-WV05	750164	GP11
	VT031		V = 1,5mm x 60°	N = 16	WT031-4-WV05	750164	GP11
	VT-S 031		V = 1,5mm x 60°	N = 16	WT031-4-WV05	750164	GP11
	VD040	400	V = 1,5mm x 60°	N = 21	WT040-4-WV17	750169	TT65
	VK040		V = 1,5mm x 60°	N = 21	WT040-4-WV17	750169	TT65
	VK-S 040		V = 1,5mm x 60°	N = 21	WT040-4-WV17	750169	TT65
	VT040		V = 1,5mm x 60°	N = 21	WT040-4-WV17	750169	TT65
	VT-S 040		V = 1,5mm x 60°	N = 21	WT040-4-WV17	750169	TT65
	VL042	420	V = 1,5mm x 60°	N = 16	WT040-4-WV07	750177	GP11
	VD050	500	V = 3mm x 60°	N = 25	WT050-4-WV19	750170	WN50
	VK050		V = 3mm x 60°	N = 25	WT050-4-WV19	750170	WN50
	VT050		V = 3mm x 60°	N = 25	WT050-4-WV19	750170	WN50
	VK-S 050		V = 3mm x 60°	N = 25	WT050-4-WV19	750170	WN50
	VT-S 050		V = 3mm x 60°	N = 25	WT050-4-WV19	750170	WN50
	VL060	600	V = Modul 2	N = 16	WT063-4-WV24	750179	TT70

Futterhersteller chuck manufacturer	Futtertyp chuck type	Futtergröße chuck size ø mm	Backenanschluss des Futters jaw-connection of the chuck		INOZet® Bezeichnung INOZet® description	Ident-Nr. ident-no.	** Nutenstein *** Grundbacke ** t-Nut *** base-jaw
			S mm/ V	N mm			
HWR	VD063	630	V = 3mm x 60°	N = 25	WT063-4-WV23	750152	WN50
	VK063		V = 3mm x 60°	N = 25	WT063-4-WV23	750152	WN50
	VK-S 063		V = 3mm x 60°	N = 25	WT063-4-WV23	750152	WN50
	VT063		V = 3mm x 60°	N = 25	WT063-4-WV23	750152	WN50
	VT-S 063		V = 3mm x 60°	N = 25	WT063-4-WV23	750152	WN50
	VL070	700	V = Modul 2	N = 16	WT070-4-WV89	750173	TT70
	VD080	800	V = 3mm x 60°	N = 25	WT080-4-WV42	750165	GP21
	VK080		V = 3mm x 60°	N = 25	WT080-4-WV42	750165	GP21
	VK-S 080		V = 3mm x 60°	N = 25	WT080-4-WV42	750165	GP21
	VT-S 080		V = 3mm x 60°	N = 25	WT080-4-WV42	750165	GP21
	VD100		990	V = 3mm x 60°	N = 25	WT100-4-WV48	750182
	VK-S 100	V = 3mm x 60°		N = 25	WT100-4-WV48	750182	GP21
	VL100	V = Modul 2		N = 21	WT100-4-WV83	750178	TT65
	VD120	1150	V = 3mm x 60°	N = 25	WT120-4-WV48	750183	GP21
	VL120		V = Modul 2	N = 21	WT120-4-WV83	750181	TT65
Kitagawa	B-08	210	V = 1,5mm x 60°	N = 14	WT021-WV04	750098	WN10
	B-208		V = 1,5mm x 60°	N = 14	WT021-WV04	750098	WN12
	BB-208 / BB-08		V = 1,5mm x 60°	N = 14	WT021-WV04	750098	WN12
	N-08 / NL-08		V = 1,5mm x 60°	N = 14	WT021-WV04	750098	WN10
	B-10	254	V = 1,5mm x 60°	N = 16	WT025-WV05	750058	GP10
	B-210		V = 1,5mm x 60°	N = 16	WT025-WV05	750058	GP11
	BB-210		V = 1,5mm x 60°	N = 16	WT025-WV05	750058	GP11
	N-10		V = 1,5mm x 60°	N = 16	WT025-WV05	750058	GP10
	B-12	304	V = 1,5mm x 60°	N = 18	WT031-WV10	750060	GP12
	B-212		V = 1,5mm x 60°	N = 21	WT031-WV17	750156	TT65
	N-12		V = 1,5mm x 60°	N = 18	WT031-WV10	750060	GP12
	BB-212	315	V = 1,5mm x 60°	N = 21	WT031-WV17	750156	WN32
	B-15	381	V = 1,5mm x 60°	N = 22	WT038-WV21	750157	GP15
	B-215		V = 1,5mm x 60°	N = 22	WT038-WV21	750157	X5507
	N-15		V = 1,5mm x 60°	N = 22	WT038-WV21	750157	X5507
	B-18	450	V = 1,5mm x 60°	N = 22	WT045-WV32	750158	GP15
	BB-218		V = 1,5mm x 60°	N = 22	WT045-WV32	750158	X9208
	N-18		V = 1,5mm x 60°	N = 22	WT045-WV32	750158	X5507
	NV-18		V = 1,5mm x 60°	N = 22	WT045-WV32	750158	X5507
	B-21	530	V = 3mm x 60°	N = 25	WT053-WV40	750072	GP21
N-21	V = 3mm x 60°		N = 25	WT053-WV40	750072	GP21	

INOZet®

Futterspezifische Daten

Chuck specific data

Technische Daten siehe Seite 69–71

Technical data see pages 69–71

INOZet® Aufsatzbacken siehe Seite 74–75

INOZet® top-jaws see pages 74–75

Futterhersteller <i>chuck manufacturer</i>	Futtertyp <i>chuck type</i>	Futtergröße <i>chuck size</i>	Backenanschluss des Futters <i>jaw-connection of the chuck</i>		INOZet® Bezeichnung <i>INOZet® description</i>	Ident-Nr. <i>ident-no.</i>	** Nutenstein *** Grundbacke ** t-Nut *** base-jaw
			ø mm	S mm / V			
Kitagawa	B-24	610	V = 3mm x 60°	N = 25	WT063-WV42	750094	GP21
	N-24		V = 3mm x 60°	N = 25	WT063-WV42	750094	GP21
	NV-24		V = 3mm x 60°	N = 25	WT063-WV42	750094	GP21
	NV-28	700	V = 3mm x 60°	N = 25	WT063-WV42	750094	GP21
Röhms	DURO 200	200	S = 10	N = 20	WT022-WK02	750045	MFI200
	DURO-NC 200		S = 10	N = 20	WT022-WK02	750045	MFI200
	DURO-NCSE 200		S = 10	N = 20	WT022-WK02	750045	GBI20
	DURO-T 200		S = 10	N = 20	WT022-WK02	750045	MFI200
	KFD 200	210	V = 1/16" x 90°	N = 17	WT021-WV03	750114	GE30
	KFD-HS 200		V = 1/16" x 90°	N = 17	WT021-WV03	750114	GE30
	LVE 200		V = 1/16" x 90°	N = 17	WT021-WV03	750114	GF30
	ZG / ZS 200		S = 10	N = 16	WT022-WK02	750045	X8754
	DURO-NCSE 210	225	S = 10	N = 20	WT022-WK02	750045	GBI20
	KFD-HE 210		V = 1/16" x 90°	N = 17	WT021-WV03	750114	GE30
	KFD-HE 210		V = 1,5mm x 60°	N = 14	WT021-WV04	750098	**
	DURO-NCSE 225	250	S = 10	N = 20	WT022-WK02	750045	GBI20
	DURO 250		S = 12	N = 20	WT025-WK05	750057	
	DURO-NC 250		S = 12	N = 20	WT025-WK05	750057	
	DURO-NCES 250		S = 12	N = 20	WT025-WK05	750057	
	DURO-T 250	260	S = 12	N = 20	WT025-WK05	750057	
	KFD 250		V = 1/16" x 90°	N = 21	WT025-WV57	750162	GE25
	KFD-HE 250		V = 1,5mm x 60°	N = 16	WT025-WV05	750058	GP11
	KFD-HE 250		V = 1/16" x 90°	N = 21	WT025-WV57	750162	GE25
	KFD-HS 250	265	V = 1/16" x 90°	N = 17	WT025-WV50	750059	GE21/17
	LVE 250		V = 1/16" x 90°	N = 21	WT025-WV57	750162	GE25
	ZG / ZS 250		S = 12	N = 20	WT025-WK05	750057	X8751
	DURO-NCSE 260	265	S = 12	N = 20	WT025-WK05	750057	
DURO-NCSE 265	S = 12		N = 20	WT025-WK05	750057		

Futterhersteller chuck manufacturer	Futtertyp chuck type	Futtergröße chuck size ø mm	Backenanschluss des Futters jaw-connection of the chuck		INOZet® Bezeichnung INOZet® description	Ident-Nr. ident-no.	** Nutenstein *** Grundbacke ** t-Nut *** base-jaw	
			S mm/ V	N mm				
Röhm	DURO 315	315	S = 12	N = 26	WT031-21-WK15	750091		
	DURO-NC 315		S = 12	N = 26	WT031-21-WK15	750091		
	DURO-NCES 315		S = 12	N = 20	WT031-WK10	750054		
	DURO-NCSE 315		S = 12	N = 26	WT031-WK10	750054		
	DURO-T 315		S = 12	N = 26	WT031-21-WK15	750091		
	KFD 315		V = 1/16" x 90°	N = 21	WT031-WV62	750159	GE25	
	KFD-HE 315		V = 1,5mm x 60°	N = 21	WT031-WV17	750156	GE25	
	KFD-HE 315		V = 1/16" x 90°	N = 21	WT031-WV62	750159	GE25	
	KFD-HS 315		V = 1/16" x 90°	N = 21	WT031-WV62	750159	GE25	
	LVE 315		V = 1/16" x 90°	N = 21	WT031-WV62	750159	GE25	
	ZG / ZS 315		S = 12	N = 20	WT031-WK10	750054	X8603	
	ZG / ZS 350		350	S = 12	N = 20	WT031-WK10	750054	***
	ZG / ZS 350	S = 12		N = 26	WT040-WK20	750137	***	
	DURO 400	400	S = 18	N = 30	WT040-20-WK25	750138		
	DURO-NC 400		S = 18	N = 30	WT040-20-WK25	750138		
	DURO-NCES 400		S = 12	N = 26	WT040-WK20	750137		
	DURO-NCSE 400		S = 12	N = 26	WT040-WK20	750137		
	DURO-T 400		S = 18	N = 30	WT040-20-WK25	750138		
	KFD 400		V = 3/32" x 90°	N = 25,5	WT040-WV77	750161	GE40	
	KFD-HE 400		V = 3/32" x 90°	N = 25,5	WT040-WV77	750161	GE40	
	KFD-HS 400		V = 3/32" x 90°	N = 25,5	WT040-WV77	750161	GE40	
	ZG / ZS 400		S = 12	N = 26	WT040-WK20	750137	***	
	DURO 500		500	S = 18	N = 30	WT050-WK30	750070	
	DURO-NC 500			S = 18	N = 30	WT050-WK30	750070	
	DURO-NCSE 500			S = 18	N = 30	WT050-WK30	750070	
	DURO-T 500	S = 18		N = 30	WT050-WK30	750070		
	KFD 500	V = 3/32" x 90°		N = 25,5	WT050-WV85	750056	GE40	
	KFD-HE 500	V = 3/32" x 90°		N = 25,5	WT050-WV85	750056	**	
	KFD-HS 500	V = 3/32" x 90°		N = 25,5	WT050-WV85	750056	GE40	
	LVE 570	V = 3/32" x 90°		N = 25,5	WT063-WV90	750051	GE40	
	ZG / ZS 500	S = 12,7		N = 19,03	WT050-WK34	705106		
	DURO 630	630		S = 24	N = 40	WT063-WK40	750077	
DURO-NC 630	S = 24			N = 40	WT063-WK40	750077		
DURO-NCSE 630	S = 18			N = 30	WT063-WK35	750075		
DURO-T 630	S = 24		N = 40	WT063-WK40	750077			
KFD 630	V = 3/32" x 90°		N = 25,5	WT063-WV90	750051	GE40		
ZG / ZS 630	S = 12,7		N = 19,03	WT063-WK38	750116			

INOZet®

Futterspezifische Daten

Chuck specific data

Technische Daten siehe Seite 69–71

Technical data see pages 69–71

INOZet® Aufsatzbacken siehe Seite 74–75

INOZet® top-jaws see pages 74–75

Futterhersteller <i>chuck manufacturer</i>	Futtertyp <i>chuck type</i>	Futtergröße <i>chuck size</i>	Backenanschluss des Futters <i>jaw-connection of the chuck</i>		INOZet® Bezeichnung <i>INOZet® description</i>	Ident-Nr. <i>ident-no.</i>	** Nutenstein *** Grundbacke ** t-Nut *** base-jaw
			ø mm	S mm / V			
Röhm	DURO 800	800	S = 24	N = 40	WT080-WK50	750050	
	KFD 800		V = 3/32" x 90°	N = 25,5	WT080-WV95	750078	GE40
	LVE 800		V = 3/32" x 90°	N = 30	WT080-WV94	750079	**
	ZG / ZS 800		S = 12,7	N = 19,05	WT080-WK47	750102	
	DURO 1000	1000	S = 24	N = 40	WT100-WK65	750087	
	KFD 1000		V = Modul 2	N = 30	WT100-WV97	750084	
	ZG / ZS 1000		S = 12,7	N = 19,03	WT100-WK59	750126	
	DURO 1250	1250	S = 24	N = 40	WT125-WK65	750030	
	KFD 1250		V = Modul 2	N = 30	WT125-WV97	750089	
	ZG / ZS 1250		S = 12,7	N = 19,03	WT125-WK64	750128	
Samchully	HC-08	210	V = 1,5mm x 60°	N = 14	WT021-WV04	750098	WN10
	HCH-08		V = 1,5mm x 60°	N = 14	WT021-WV04	750098	WN10
	HS-08		V = 1,5mm x 60°	N = 14	WT021-WV04	750098	WN12
	HH-208 / MH-208		V = 1,5mm x 60°	N = 14	WT021-WV04	750098	WN12
	HC-10	254	V = 1,5mm x 60°	N = 16	WT025-WV05	750058	GP10
	HCH-10		V = 1,5mm x 60°	N = 16	WT025-WV05	750058	GP10
	HH-210 / MH-210		V = 1,5mm x 60°	N = 16	WT025-WV05	750058	GP11
	HS-10		V = 1,5mm x 60°	N = 16	WT025-WV05	750058	GP11
	HC-12	304	V = 1,5mm x 60°	N = 18	WT031-WV10	750060	GP12
	HCH-12		V = 1,5mm x 60°	N = 18	WT031-WV10	750060	GP12
	HS-12		V = 1,5mm x 60°	N = 21	WT031-WV17	750156	TT65
	HH-212 / MH-212	315	V = 1,5mm x 60°	N = 21	WT031-WV17	750156	TT65
	HC-15	381	V = 1,5mm x 60°	N = 22	WT038-WV21	750157	X5507
	HCH-15		V = 1,5mm x 60°	N = 22	WT038-WV21	750157	GP15
	HC-18	450	V = 1,5mm x 60°	N = 22	WT045-WV32	750158	X5507
	HCH-18		V = 1,5mm x 60°	N = 22	WT045-WV32	750158	GP15
	HCH-18B	457	V = 1,5mm x 60°	N = 22	WT045-WV32	750158	GP15
	MH-218		V = 3mm x 60°	N = 22	WT045-WV35	750143	GP15

Futterhersteller <i>chuck manufacturer</i>	Futtertyp <i>chuck type</i>	Futtergröße <i>chuck size</i>	Backenanschluss des Futters <i>jaw-connection of the chuck</i>		INOZet® Bezeichnung <i>INOZet® description</i>	Ident-Nr. <i>ident-no.</i>	** Nutenstein *** Grundbacke ** t-Nut *** base-jaw
			ø mm	S mm/ V			
Samchully	HC-21	530	V = 3mm x 60°	N = 25	WT053-WV40	750072	GP21
	HCH-21		V = 3mm x 60°	N = 25	WT053-WV40	750072	GP21
	HCH-21B		V = 3mm x 60°	N = 25	WT053-WV40	750072	GP21
	MH-221		V = 3mm x 60°	N = 25	WT053-WV40	750072	GP21
	HC-24	610	V = 3mm x 60°	N = 25	WT063-WV42	750094	GP21
	HCH-24		V = 3mm x 60°	N = 25	WT063-WV42	750094	GP21
	HC-32	800	S = 19,025	N = 12,7	WT080-WK55	750083	
	HC-32		V = 3mm x 60°	N = 25,5	WT080-WV45	750081	
	HCH-32		V = 3mm x 60°	N = 25,5	WT080-WV45	750081	
Schunk	ROTA G 200	200	S = 10	N = 20	WT022-WK02	750045	GBI20
	ROTA S plus 200		S = 10	N = 20	WT022-WK02	750045	MF1200
	ROTA NC 210	210	V = 1,5mm x 60°	N = 14	WT021-WV04	750098	WN10
	ROTA NC 210		V = 1/16" x 90°	N = 17	WT021-WV03	750114	GF30
	ROTA NCD 210		V = 1/16" x 90°	N = 17	WT021-WV03	750114	GN50
	ROTA NCF 210		V = 1,5mm x 60°	N = 14	WT021-WV04	750098	WN10
	ROTA NCF 210		V = 1/16" x 90°	N = 17	WT021-WV03	750114	GF30
	ROTA NCF plus 210		V = 1,5mm x 60°	N = 14	WT021-WV04	750098	WN12
	ROTA NCK 210		V = 1,5mm x 60°	N = 14	WT021-WV04	750098	WN12
	ROTA NCK plus 210		V = 1,5mm x 60°	N = 14	WT021-WV04	750098	WN12
	ROTA NCK plus 210		V = 1/16" x 90°	N = 17	WT021-WV03	750114	GF30
	ROTA NCO 210		V = 1/16" x 90°	N = 17	WT021-WV03	750114	GF30
	ROTA THW 210		S = 10	N = 20	WT022-WK02	750045	GBI20
	ROTA NC plus 215		215	V = 1,5mm x 60°	N = 14	WT021-WV04	750098
	ROTA NC plus 215	V = 1/16" x 90°		N = 17	WT021-WV03	750114	GF30
	ROTA NCD 215	V = 1,5mm x 60°		N = 14	WT021-WV04	750098	WN12
	ROTA NCD 215	V = 1/16" x 90°		N = 17	WT021-WV03	750114	GF30
	ROTA NCF plus 215	V = 1/16" x 90°		N = 17	WT021-WV03	750114	GF30
	ROTA THW plus 215	S = 10		N = 20	WT022-WK02	750045	GBI20
	ROTA NCW 225	225	S = 10	N = 20	WT022-WK02	750045	GBI20
	ROTA G 250	250	S = 12	N = 20	WT025-WK05	750057	
	ROTA NC 250		V = 1/16" x 90°	N = 21	WT025-WV57	750162	GF261
	ROTA NCD 250		V = 1,5mm x 60°	N = 16	WT025-WV05	750058	GP10
	ROTA NCD 250		V = 1/16" x 90°	N = 21	WT025-WV57	750162	GN25
	ROTA NCF 250		V = 1,5mm x 60°	N = 16	WT025-WV05	750058	GP10
	ROTA NCF 250		V = 1/16" x 90°	N = 21	WT025-WV57	750162	GF261
	ROTA NCK 250		V = 1,5mm x 60°	N = 16	WT025-WV05	750058	GP11
	ROTA NCK plus 250		V = 1,5mm x 60°	N = 16	WT025-WV05	750058	GP11
ROTA NCK plus 250	V = 1/16" x 90°		N = 17	WT025-WV50	750059	GF211	



INOZet®

Futterspezifische Daten Chuck specific data

Technische Daten siehe Seite 69–71

Technical data see pages 69–71

INOZet® Aufsatzbacken siehe Seite 74–75

INOZet® top-jaws see pages 74–75

Futterhersteller chuck manufacturer	Futtertyp chuck type	Futtergröße chuck size ø mm	Backenanschluss des Feeders jaw-connection of the chuck		INOZet® Bezeichnung INOZet® description	Ident-Nr. ident-no.	** Nutenstein *** Grundbacke ** t-Nut *** base-jaw
			S mm/ V	N mm			
Schunk	ROTA ROTA NC 250	250	V = 1,5mm x 60°	N = 16	WT025-WV05	750058	GP10
	ROTA S plus 250		S = 12	N = 20	WT025-WK05	750057	
	ROTA THW 250-65		S = 12	N = 20	WT025-WK05	750057	
	ROTA NCD 255	255	V = 1,5mm x 60°	N = 16	WT025-WV05	750058	GP11
	ROTA NCD 255		V = 1/16" x 90°	N = 21	WT025-WV57	750162	GN25
	ROTA NC plus 260	260	V = 1,5mm x 60°	N = 16	WT025-WV05	750058	GP11
	ROTA NC plus 260		V = 1/16" x 90°	N = 21	WT025-WV57	750162	GF261
	ROTA NCF plus 260		V = 1,5mm x 60°	N = 16	WT025-WV05	750058	GP11
	ROTA NCF plus 260		V = 1/16" x 90°	N = 21	WT025-WV57	750162	GF261
	ROTA NCO 260		V = 1/16" x 90°	N = 21	WT025-WV57	750162	GF261
	ROTA THW plus 260		S = 12	N = 20	WT025-WK05	750057	
	ROTA NCW 265	265	S = 12	N = 20	WT025-WK05	750057	
	ROTA G 315	315	S = 12	N = 20	WT031-WK10	750054	
	ROTA NC 315-86		V = 1,5mm x 60°	N = 18	WT031-WV10	750060	GP12
	ROTA NC 315-86		V = 1/16" x 90°	N = 21	WT031-WV62	750159	GN25
	ROTA NC plus 315		V = 1,5mm x 60°	N = 21	WT031-WV17	750156	GF261
	ROTA NC plus 315		V = 1/16" x 90°	N = 21	WT031-WV62	750159	GF261
	ROTA NCD 315	315	V = 1/16" x 90°	N = 21	WT031-WV62	750159	GN25
	ROTA NCD 315		V = 1,5mm x 60°	N = 21	WT031-WV17	750156	TT65
	ROTA NCF 315		V = 1,5mm x 60°	N = 18	WT031-WV10	750060	GP12
	ROTA NCF 315		V = 1/16" x 90°	N = 21	WT031-WV62	750159	GN25
	ROTA NCF plus 2 315		V = 1/16" x 90°	N = 21	WT031-WV62	750159	GF261
	ROTA NCF plus 315		V = 1,5mm x 60°	N = 21	WT031-WV17	750156	TT65
	ROTA NCF plus 315		V = 1/16" x 90°	N = 21	WT031-WV62	750159	GF261
	ROTA NCK plus 315		V = 1,5mm x 60°	N = 21	WT031-WV17	750156	TT65
	ROTA NCK plus 315		V = 1/16" x 90°	N = 21	WT031-WV62	750159	GF261
	ROTA NCO 315		V = 1/16" x 90°	N = 21	WT031-WV62	750159	GF261
	ROTA NCW 315		S = 12	N = 20	WT031-WK10	750054	
	ROTA S plus 315		S = 12	N = 26	WT031-21-WK15	750091	

Futterhersteller <i>chuck manufacturer</i>	Futtertyp <i>chuck type</i>	Futtergröße <i>chuck size</i>	Backenanschluss des Futters <i>jaw-connection of the chuck</i>		INOZet® Bezeichnung <i>INOZet® description</i>	Ident-Nr. <i>ident-no.</i>	** Nutenstein *** Grundbacke ** t-Nut *** base-jaw
			ø mm	S mm/ V			
Schunk	ROTA THW 315	315	S = 12	N = 20	WT031-WK10	750054	
	ROTA THW plus 315		S = 12	N = 20	WT031-WK10	750054	
	ROTA G 400	400	S = 12	N = 26	WT040-WK20	750137	
	ROTA NC 400		V = 1,5mm x 60°	N = 21	WT040-WV27	750139	WN34
	ROTA NC 400		V = 3/32" x 90°	N = 25,5	WT040-WV77	750161	GN40
	ROTA NCD 400		V = 3/32" x 90°	N = 25,5	WT040-WV77	750161	GN40
	ROTA NCF 400		V = 1,5mm x 60°	N = 21	WT040-WV27	750139	WN34
	ROTA NCF 400		V = 3/32" x 90°	N = 25,5	WT040-WV77	750161	GN40
	ROTA NCO 400		V = 3/32" x 90°	N = 25,5	WT040-WV77	750161	GE40
	ROTA S plus 400		S = 18	N = 30	WT040-20-WK25	750138	
	ROTA THW 400		S = 12	N = 26	WT040-WK20	750137	
	ROTA THW plus 400		S = 12	N = 26	WT040-WK20	750137	
	ROTA G 500	500	S = 18	N = 30	WT050-WK30	750070	
	ROTA NC 500		V = 3/32" x 90°	N = 25,5	WT050-WV85	750056	GN40
	ROTA NCD 500		V = 3/32" x 90°	N = 25,5	WT050-WV85	750056	GN40
	ROTA NCF 500		V = 3/32" x 90°	N = 25,5	WT050-WV85	750056	GN40
	ROTA NCO 500		V = 3/32" x 90°	N = 25,5	WT050-WV85	750056	GE40
	ROTA S plus 500		S = 18	N = 30	WT050-WK30	750070	
	ROTA THW 500		S = 18	N = 30	WT050-WK30	750070	
	ROTA G 630		630	S = 18	N = 30	WT063-WK35	750075
	ROTA NC 630	V = 3/32" x 90°		N = 30	WT063-WV92	750074	GN80
	ROTA S plus 630	S = 24		N = 40	WT063-WK40	750077	
	ROTA THW 630	S = 18		N = 30	WT063-WK35	750075	
	ROTA THW plus 630	S = 18		N = 30	WT063-WK35	750075	
	ROTA NC 800	800	V = 3/32" x 90°	N = 30	WT080-WV94	750079	GN80
	ROTA NCO 800		V = 3/32" x 90°	N = 25,5	WT080-WV95	750078	GN40
	ROTA S plus 800		S = 24	N = 40	WT080-WK50	750050	
	ROTA NC 1000	1000	V = Modul 2	N = 30	WT100-WV97	750084	
	ROTA NCO 1000		V = Modul 2	N = 30	WT100-WV97	750084	
	ROTA S plus 1000		S = 24	N = 40	WT100-WK65	750087	
SMW Autoblok	HFK / HFKS 200-48	200	V = 1/16" x 90°	N = 17	WT021-WV03	750114	GN50
	HFK / HFKS 200-66		V = 1/16" x 90°	N = 17	WT021-WV03	750114	GN50
	AL-D 210	210	V = 1/16" x 90°	N = 17	WT021-WV03	750114	GF30
	AL-M 210		V = 1,5mm x 60°	N = 14	WT021-WV04	750098	WN14
	AN-D 210		V = 1/16" x 90°	N = 17	WT021-WV03	750114	GF30
	AN-M 210		V = 1,5mm x 60°	N = 14	WT021-WV04	750098	WN14
	BB-D 210		V = 1/16" x 90°	N = 17	WT021-WV03	750114	GF30
	BB-M 210		V = 1,5mm x 60°	N = 14	WT021-WV04	750098	WN14

INOZet®

Futterspezifische Daten Chuck specific data

Technische Daten siehe Seite 69–71
Technical data see pages 69–71

INOZet® Aufsatzbacken siehe Seite 74–75
INOZet® top-jaws see pages 74–75

Futterhersteller <i>chuck manufacturer</i>	Futtertyp <i>chuck type</i>	Futtergröße <i>chuck size</i>	Backenanschluss des Futters <i>jaw-connection of the chuck</i>		INOZet® Bezeichnung <i>INOZet® description</i>	Ident-Nr. <i>ident-no.</i>	** Nutenstein *** Grundbacke ** t-Nut *** base-jaw	
			ø mm	S mm/ V				N mm
SMW Autoblok	BH-D 210	210	V = 1/16" x 90°	N = 17	WT021-WV03	750114	GF30	
	BHD-FC 210		V = 1/16" x 90°	N = 17	WT021-WV03	750114	GF30	
	BH-M 210		V = 1,5mm x 60°	N = 14	WT021-WV04	750098	WN14	
	BHM-FC 210		V = 1,5mm x 60°	N = 14	WT021-WV04	750098	WN14	
	HFKN-D 210		V = 1/16" x 90°	N = 17	WT021-WV03	750114	GF30	
	HFKN-M 210		V = 1,5mm x 60°	N = 14	WT021-WV04	750098	WN14	
	HG-F 210		S = 10	N = 20	WT022-WK02	750045	MFI200	
	HG-N 210		S = 10	N = 20	WT022-WK02	750045	GBI20	
	KNCS-N 210	S = 10	N = 20	WT022-WK02	750045	GBI20		
	KNCS-N 225	225	S = 10	N = 20	WT022-WK02	750045	GBI20	
	AL-D 250	250	V = 1/16" x 90°	N = 21	WT025-WV57	750162	GF261	
	AL-M 250		V = 1,5mm x 60°	N = 16	WT025-WV05	750058	GF263	
	AN-D 250		V = 1/16" x 90°	N = 21	WT025-WV57	750162	GF261	
	AN-M 250		V = 1,5mm x 60°	N = 16	WT025-WV05	750058	GF263	
	BB-D 250		V = 1/16" x 90°	N = 21	WT025-WV57	750162	GF261	
	BB-M 250		V = 1,5mm x 60°	N = 16	WT025-WV05	750058	GF263	
	BH-D 250		V = 1/16" x 90°	N = 21	WT025-WV57	750162	GF261	
	BHD-FC 250		V = 1/16" x 90°	N = 21	WT025-WV57	750162	GF261	
	BH-M 250	V = 1,5mm x 60°	N = 16	WT025-WV05	750058	GF263		
	BHM-FC 250	V = 1,5mm x 60°	N = 16	WT025-WV05	750058	GF263		
	HFK / HFKS 250	V = 1/16" x 90°	N = 21	WT025-WV57	750162	GN25		
	HFKN-D 260	260	V = 1/16" x 90°	N = 21	WT025-WV57	750162	GF261	
	HFKN-M 260		V = 1,5mm x 60°	N = 16	WT025-WV05	750058	**	
	HG-F 260		S = 12	N = 20	WT025-WK05	750057		
	HG-N 260		S = 12	N = 20	WT025-WK05	750057		
	KNCS-N 260		S = 12	N = 20	WT025-WK05	750057		
	HFK / HFKS 270		270	V = 1/16" x 90°	N = 21	WT025-WV57	750162	GN25
	KNCS-N 275		275	S = 12	N = 20	WT025-WK05	750057	

Futterhersteller <i>chuck manufacturer</i>	Futtertyp <i>chuck type</i>	Futtergröße <i>chuck size</i>	Backenanschluss des Futters <i>jaw-connection of the chuck</i>		INOZet® Bezeichnung <i>INOZet® description</i>	Ident-Nr. <i>ident-no.</i>	** Nutenstein *** Grundbacke ** t-Nut *** base-jaw	
			ø mm	S mm/ V				N mm
SMW Autoblok	AL-D 315	315	V = 1/16" x 90°	N = 21	WT031-WV62	750159	GF261	
	AL-M 315		V = 1,5mm x 60°	N = 21	WT031-WV17	750156	GF261	
	AN-D 315		V = 1/16" x 90°	N = 21	WT031-WV62	750159	GF261	
	AN-M 315		V = 1,5mm x 60°	N = 21	WT031-WV17	750156	GF261	
	BB-D 315		V = 1/16" x 90°	N = 21	WT031-WV62	750159	GF261	
	BB-M 315		V = 1,5mm x 60°	N = 21	WT031-WV17	750156	GF261	
	BH-D 315		V = 1/16" x 90°	N = 21	WT031-WV62	750159	GF261	
	BHD-FC 315		V = 1/16" x 90°	N = 21	WT031-WV62	750159	GF261	
	BH-M 315		V = 1,5mm x 60°	N = 21	WT031-WV17	750156	GF261	
	BHM-FC 315		V = 1,5mm x 60°	N = 21	WT031-WV17	750156	GF261	
	HFK / HFKS 315		V = 1/16" x 90°	N = 21	WT031-WV62	750159	GN25	
	HFKN-D 315		V = 1/16" x 90°	N = 21	WT031-WV62	750159	GF261	
	HFKN-M 315		V = 1,5mm x 60°	N = 21	WT031-WV17	750156	GF261	
	HG-F 315		S = 12	N = 26	WT031-21-WK15	750091		
	HG-N 315	S = 12	N = 20	WT031-WK10	750054			
	KNCS-N 315	S = 12	N = 20	WT031-WK10	750054			
	KNCS-N 325	325	S = 12	N = 20	WT031-WK10	750054		
	KNCS-N 340	340	S = 12	N = 20	WT031-WK10	750054		
	AN-D 400	400	V = 3/32" x 90°	N = 25,5	WT040-WV77	750161	GE40	
	AN-M 400		V = 1,5mm x 60°	N = 22	WT038-WV21	750157	X7960	
	BH-D 400		V = 3/32" x 90°	N = 25,5	WT040-WV77	750161	GE40	
	BHD-FC 400		V = 3/32" x 90°	N = 25,5	WT040-WV77	750161	GE40	
	BH-M 400		V = 1,5mm x 60°	N = 22	WT038-WV21	750157	X7960	
	HFK / HFKS 400		V = 3/32" x 90°	N = 25,5	WT040-WV77	750161	GN40	
	HFKN-D 400		V = 3/32" x 90°	N = 25,5	WT040-WV77	750161	GN40	
	HG-F 400		S = 18	N = 30	WT040-20-WK25	750138		
	HG-N 400		S = 12	N = 26	WT040-WK20	750137		
	KNCS-N 400		S = 12	N = 26	WT040-WK20	750137		
	BH-D 450		450	V = 3/32" x 90°	N = 25,5	WT045-WV80	750144	GE40
	BH-M 450			V = 1,5mm x 60°	N = 22	WT045-WV32	750158	X7960
	BH-D 500		500	V = 3/32" x 90°	N = 25,5	WT050-WV85	750056	GE40
	BHD-FC 500			V = 3/32" x 90°	N = 25,5	WT050-WV85	750056	GE40
HFKN-D 500	V = 3/32" x 90°	N = 25,5		WT050-WV85	750145	GN40		
HFKN-M 500	V = 3mm x 60°	N = 25,5		WT050-WV39	750127	**		
HG-N 500	S = 18	N = 30		WT050-WK30	750070			
IL-C 500 Langschieberbacke	S = 19,03	N = 12,7		WT050-WK32	750071			
IL-D 500	V = 3/32" x 90°	N = 25,5		WT050-WV85	750056	X6836		

INOZet®

Futterspezifische Daten

Chuck specific data

Technische Daten siehe Seite 69–71

Technical data see pages 69–71

INOZet® Aufsatzbacken siehe Seite 74–75

INOZet® top-jaws see pages 74–75

Futterhersteller <i>chuck manufacturer</i>	Futtertyp <i>chuck type</i>	Futtergröße <i>chuck size</i>	Backenanschluss des Futters <i>jaw-connection of the chuck</i>		INOZet® Bezeichnung <i>INOZet® description</i>	Ident-Nr. <i>ident-no.</i>	** Nutenstein *** Grundbacke ** t-Nut *** base-jaw
			ø mm	S mm/ V			
SMW Autoblok	IN-C 500 Langschieberbacke	500	S = 19,03	N = 12,7	WT050-WK32	750071	
	IN-D 500		V = 3/32" x 90°	N = 25,5	WT050-WV85	750056	X6836
	KNCS-N 500		S = 18	N = 30	WT050-WK30	750070	
	BH-D 630	630	V = 3/32" x 90°	N = 25,5	WT063-WV90	750051	GE40
	BHD-FC 630		V = 3/32" x 90°	N = 25,5	WT063-WV90	750051	GE40
	HG-N 630		S = 18	N = 30	WT063-WK35	750075	
	IL-C 630 Langschieberbacke		S = 19,03	N = 12,7	WT063-WK37	750076	
	IL-D 630		V = 3/32" x 90°	N = 25,5	WT063-WV90	750051	X6836
	IN-C 630 Langschieberbacke		S = 19,03	N = 12,7	WT063-WK37	750076	
	IN-D 630		V = 3/32" x 90°	N = 25,5	WT063-WV90	750051	X6836
	KNCS-N 630	S = 18	N = 30	WT063-WK35	750075		
	BH-D 800	800	V = 3/32" x 90°	N = 25,5	WT080-WV95	750078	GE40
	IL-D 800		V = 3/32" x 90°	N = 25,5	WT080-WV95	750078	X6836
	IN-D 800		V = 3/32" x 90°	N = 25,5	WT080-WV95	750078	X6836
	IN-D 1000	1000	V = Modul 2	N = 30	WT100-WV96	750052	
	IR-C 1000 Langschieberbacke		S = 19,03	N = 30	WT100-WK67	750145	
	IN-D 1250	1250	V = Modul 2	N = 30	WT125-WV96	750088	
	IR-C 1250 Langschieberbacke		S = 19,03	N = 30	WT125-WK67	750146	

MEHR GIBT ES IM HWR DOWNLOAD-BEREICH

FOR MORE, VISIT OUR
HWR DOWNLOAD AREA



Auf unserer Website stellen wir Ihnen im Downloadbereich viele technische Daten unserer Produkte, wie 3D-Modelle, Bedienungsanleitungen, Einstellblätter und Zeichnungen zur Verfügung.

On our website you will find many technical data of our products, such as 3D models, operating manuals, adjustment sheets and drawings in the download area.

hwr.de

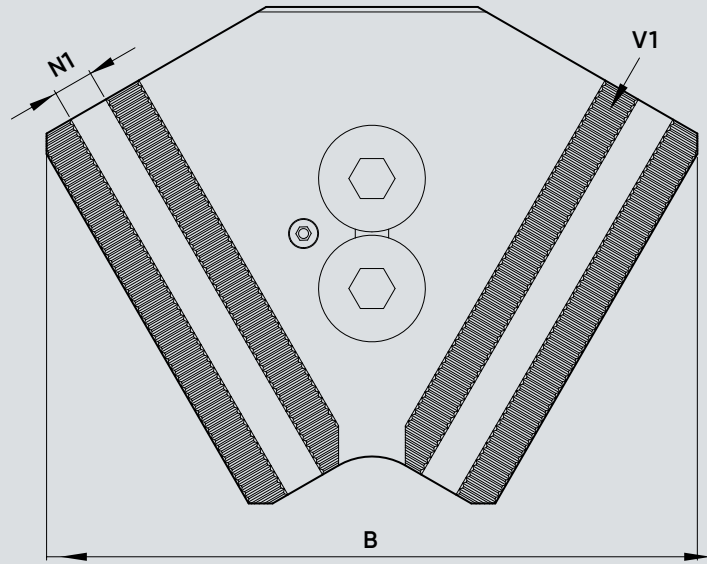
*siehe Bedienungsanleitung
*see Operating Manual

Höhe ohne Backen height without jaws	Länge length	Gewicht / Satz weight / set	Aufsatzbackenanschluss top-jaw connection	
			Spitzverzahnung serration	Nutbreite slot width
H mm	L mm	kg	V1 mm	N1 mm
37,5	95	6,3	2 x 60°	10
37,5	95	6,3	2 x 60°	10
37,5	105	6,3	2 x 60°	10
40	128	9,9	2 x 60°	12
40	128	9,9	2 x 60°	12
40	128	9,9	2 x 60°	12
40	128	9,9	2 x 60°	12
45	128	9,9	2 x 60°	12
44	95	8	2 x 60°	10
47	149	15,6	2 x 60°	12
47	162	17,7	2 x 60°	12
49	149	15,6	2 x 60°	12
54	149	15,6	2 x 60°	12
54	149	15,6	2 x 60°	12
56	149	15,6	2 x 60°	12
51	123	14,8	2 x 60°	12
61	182	28,2	3,5 x 60°	16
56	182	28,2	3,5 x 60°	16
61	182	28,2	3,5 x 60°	16
55	204	29,4	3,5 x 60°	16
55	202	33,9	3,5 x 60°	16
64	194	29,4	3,5 x 60°	16
64	194	29,4	3,5 x 60°	16
66	194	29,4	3,5 x 60°	16
59	194	29,4	3,5 x 60°	16
64	194	30,9	3,5 x 60°	16



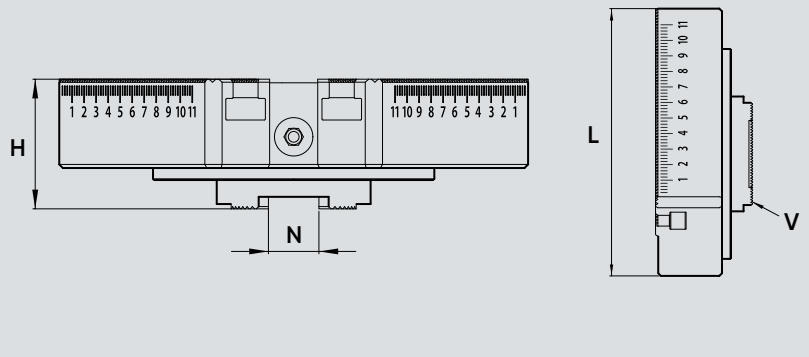
INOZet®

Futterspezifische Daten
Chuck specific data

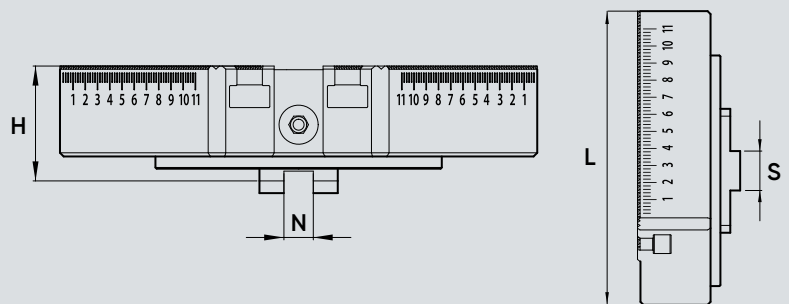


Futterhersteller chuck manufacturer	Fuertyp chuck type	Futterg chuck s ø mm
SMW Autoblok	IN-C 500 Langschieberbacke	500
	IN-D 500	
	KNCS-N 500	
	BH-D 630	630
	BHD-FC 630	
	HG-N 630	
	IL-C 630 Langschieberbacke	
	IL-D 630	
	IN-C 630 Langschieberbacke	
	IN-D 630	800
	KNCS-N 630	
	BH-D 800	
	IL-D 800	
	IN-D 800	
	IN-D 1000	
	IR-C 1000 Langschieberbacke	
IN-D 1250	1250	
IR-C 1250 Langschieberbacke		

Spitzverzahnung Serration



Kreuzversatz Tongue and groove



INOZet®

Allgemeine technische Daten General technical data

*siehe Bedienungsanleitung
*see Operating Manual

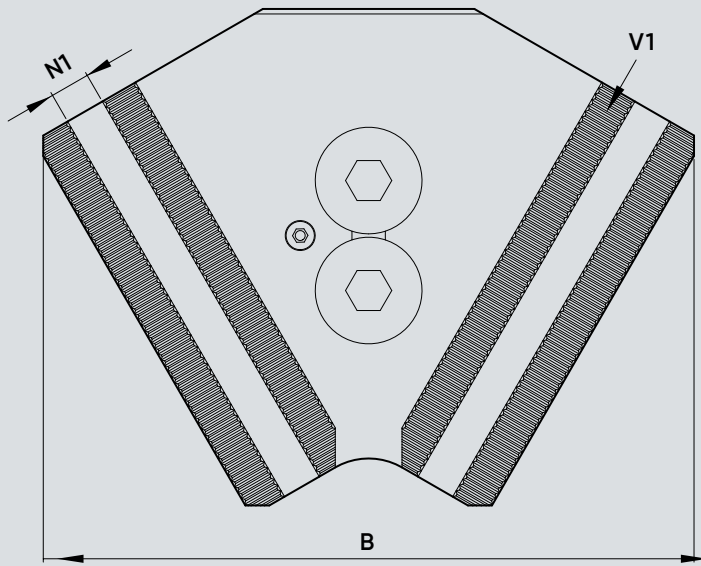
INOZet®	Ident-Nr. ident-no.	max. Drehzahl max. r.p.m. 1/min	Spannbereich grip range		Schwing- kreis ohne Backen swing with- out jaws Ø mm	Breite width B mm	Höhe ohne Backen height without jaws H mm	Länge length L mm	Gewicht / Satz weight / set kg	Aufsatzbacken- anschluss top-jaw connection	
			Außenspannung external clamping min. – max./mm	Innenspannung internal clamping min. – max./mm						Spitzver- zahnung serration V1 mm	Nutbreite slot width N1 mm
WT021-WV03	750114	2200	50 – 210	110 – 210	228	123	37,5	95	6,3	2 x 60°	10
WT021-WV04	750098	2500	50 – 210	110 – 210	228	123	37,5	95	6,3	2 x 60°	10
WT022-WK02	750045	2200	50 – 225	110 – 225	270	140	37,5	105	6,3	2 x 60°	10
WT025-WK05	750057	2000	60 – 250	134 – 250	320	170	40	128	9,9	2 x 60°	12
WT025-WV05	750058	2000	60 – 250	134 – 250	320	170	40	128	9,9	2 x 60°	12
WT025-WV50	750059	2000	60 – 250	134 – 250	320	170	40	128	9,9	2 x 60°	12
WT025-WV52	750101	2000	60 – 250	134 – 250	320	170	40	128	9,9	2 x 60°	12
WT025-WV57	750162	2000	60 – 250	134 – 250	320	170	45	128	9,9	2 x 60°	12
WT025-4-WV02	750163	*	63 – 260	123 – 260	262	120	44	95	8	2 x 60°	10
WT031-WK10	750054	1300	65 – 315	139 – 315	380	195	47	149	15,6	2 x 60°	12
WT031-21-WK15	750091	1300	65 – 315	139 – 315	390	200	47	162	17,7	2 x 60°	12
WT031-WV10	750060	1300	65 – 315	139 – 315	380	195	49	149	15,6	2 x 60°	12
WT031-WV17	750156	1300	65 – 315	139 – 315	380	195	54	149	15,6	2 x 60°	12
WT031-WV62	750159	1300	65 – 315	139 – 315	380	195	54	149	15,6	2 x 60°	12
WT031-WV67	750160	1300	65 – 315	139 – 315	380	195	56	149	15,6	2 x 60°	12
WT031-4-WV05	750164	*	82 – 315	156 – 315	336	154	51	123	14,8	2 x 60°	12
WT038-WV21	750157	1100	70 – 380	158 – 380	455	239	61	182	28,2	3,5 x 60°	16
WT038-WV22	750131	1100	70 – 380	158 – 380	455	239	56	182	28,2	3,5 x 60°	16
WT038-WV77	750130	1100	70 – 380	158 – 380	455	239	61	182	28,2	3,5 x 60°	16
WT040-WK20	750137	1100	70 – 400	158 – 400	490	249	55	204	29,4	3,5 x 60°	16
WT040-20-WK25	750138	1100	80 – 400	168 – 400	510	270	55	202	33,9	3,5 x 60°	16
WT040-WV27	750139	1100	70 – 400	158 – 400	490	249	64	194	29,4	3,5 x 60°	16
WT040-WV71	750140	1100	70 – 400	158 – 400	490	249	64	194	29,4	3,5 x 60°	16
WT040-WV72	750132	1100	70 – 400	158 – 400	490	249	66	194	29,4	3,5 x 60°	16
WT040-WV74	750133	1100	70 – 400	158 – 400	490	249	59	194	29,4	3,5 x 60°	16
WT040-WV77	750161	1100	70 – 400	158 – 400	490	249	64	194	30,9	3,5 x 60°	16



INOZet®

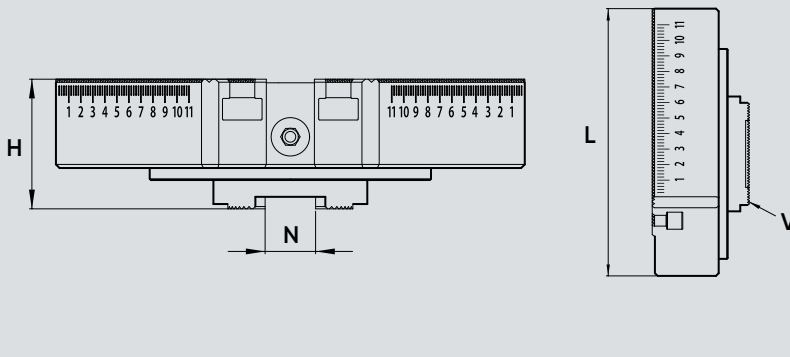
Allgemeine technische Daten General technical data

INOZet®	Ident-Nr. ident-no.	max. Drehzahl max. r.p.m. 1/min	Spannbereich grip range		Schwing- kreis ohne Backen swing with- out jaws Ø mm	Breite width B mm	Höhe ohne Backen height without jaws H mm	Länge length L mm	Gewicht/ Satz weight / set kg	Aufsatzbacken- anschluss top-jaw connection	
			Außenspannung external clamping min. - max./mm	Innenspannung internal clamping min. - max./mm						Spitzver- zahnung serration V1 mm	Nutbreite slot width N1 mm
WT040-4-WV07	750177	*	90 - 400	178 - 400	440	196	56	161	23,6	3,5 x 60°	16
WT040-4-WV17	750169	*	90 - 400	178 - 400	440	196	50	161	22,8	3,5 x 60°	16
WT040-4-WV88	750176	*	90 - 400	178 - 400	440	196	56	161	23,6	3,5 x 60°	16
WT045-WV32	750158	1000	80 - 450	168 - 450	510	270	59	202	32,7	3,5 x 60°	16
WT045-WV35	750143	1000	80 - 450	168 - 450	510	270	64	202	32,7	3,5 x 60°	16
WT045-WV80	750144	1000	80 - 450	168 - 450	510	270	64	202	32,7	3,5 x 60°	16
WT050-WK30	750070	800	85 - 500	179 - 500	580	302	89	223	52,8	3,5 x 60°	21
WT050-WK32	750071	800	85 - 500	179 - 500	580	302	89	223	52,8	3,5 x 60°	21
WT050-WK34	705106	800	85 - 500	179 - 500	580	302	89	223	52,8	3,5 x 60°	21
WT050-4-WV19	750170	*	115 - 500	203 - 500	540	230	56	178	31,2	3,5 x 60°	16
WT050-WV39	750127	800	85 - 500	179 - 500	580	302	89	223	52,8	3,5 x 60°	21
WT050-WV85	750056	800	85 - 500	179 - 500	580	302	68	223	52,8	3,5 x 60°	21
WT050-WV86	750150	800	85 - 500	179 - 500	580	302	68	223	52,8	3,5 x 60°	21
WT053-WV40	750072	780	100 - 530	194 - 530	595	318	71	225	57,9	3,5 x 60°	21
WT053-WV41	750125	780	100 - 530	194 - 530	595	318	71	225	57,9	3,5 x 60°	21
WT063-WK35	750075	650	170 - 630	264 - 630	700	373	70	249	72	3,5 x 60°	21
WT063-WK37	750076	650	170 - 630	264 - 630	700	373	70	249	72	3,5 x 60°	21
WT063-WK38	750116	650	170 - 630	264 - 630	700	373	70	249	72	3,5 x 60°	21
WT063-WK40	750077	650	170 - 630	264 - 630	700	373	70	249	72	3,5 x 60°	21
WT063-WV42	750094	650	170 - 630	264 - 630	700	373	74	249	72	3,5 x 60°	21
WT063-WV90	750051	650	170 - 630	264 - 630	700	373	74	249	72	3,5 x 60°	21
WT063-WV92	750074	650	170 - 630	264 - 630	700	373	74	249	72	3,5 x 60°	21
WT063-4-WV23	750152	650	182 - 630	270 - 630	670	280	61	205	54,8	3,5 x 60°	16
WT063-4-WV24	750179	*	182 - 630	270 - 630	670	280	61	205	54,8	3,5 x 60°	16

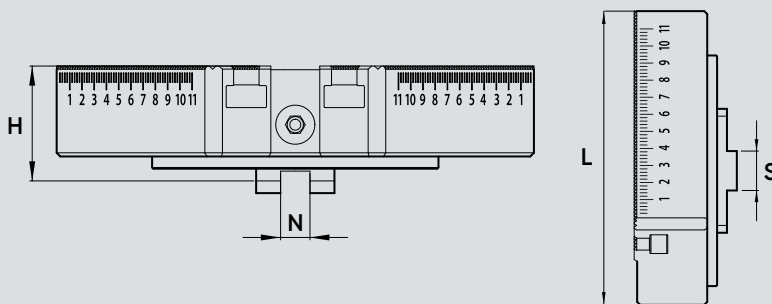


*siehe Bedienungsanleitung
*see Operating Manual

Spitzverzahnung
Serration



Kreuzversatz
Tongue and groove



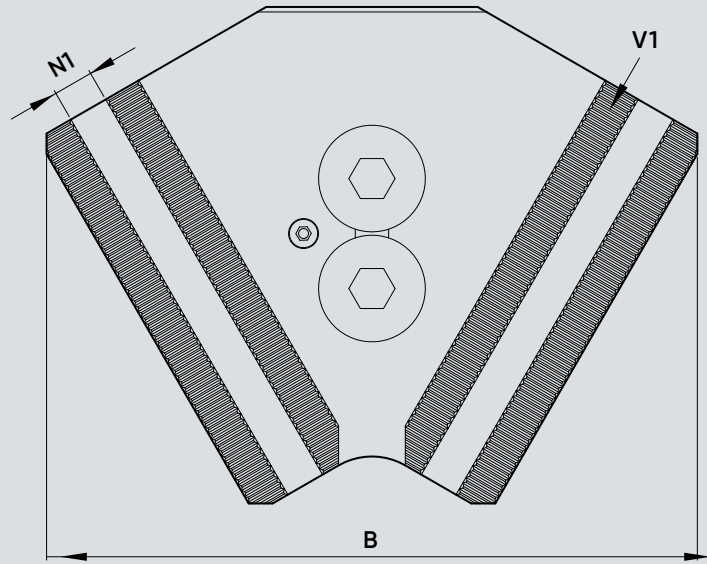
Höhe ohne Backen height without jaws H mm	Länge length L mm	Gewicht / Satz weight / set kg	Aufsatzbacken-anschluss top-jaw connection	
			Spitzverzahnung serration V1 mm	Nutbreite slot width N1 mm
61	280	54	3,5 x 60°	16
68	234	86	3,5 x 60°	16
74	288	108,6	3,5 x 60°	25
74	288	108,6	3,5 x 60°	25
74	288	108,6	3,5 x 60°	25
74	288	108,6	3,5 x 60°	25
74	288	108,6	3,5 x 60°	25
77	288	108,6	3,5 x 60°	25
77	288	108,6	3,5 x 60°	25
77	288	108,6	3,5 x 60°	25
77	288	108,6	3,5 x 60°	25
77	288	108,6	3,5 x 60°	25
74	268	103,6	3,5 x 60°	21
74	286	138	3,5 x 60°	25
74	286	138	3,5 x 60°	25
78	286	138	3,5 x 60°	25
82	286	138	3,5 x 60°	25
82	286	138	3,5 x 60°	25
77	270	146,4	3,5 x 60°	25
80	270	146,4	3,5 x 60°	25
80	281	172	3,5 x 60°	25
80	281	172	3,5 x 60°	25
74	287	177	3,5 x 60°	25
74	287	177	3,5 x 60°	25
74	287	177	3,5 x 60°	25
82	287	177	3,5 x 60°	25
82	287	177	3,5 x 60°	25



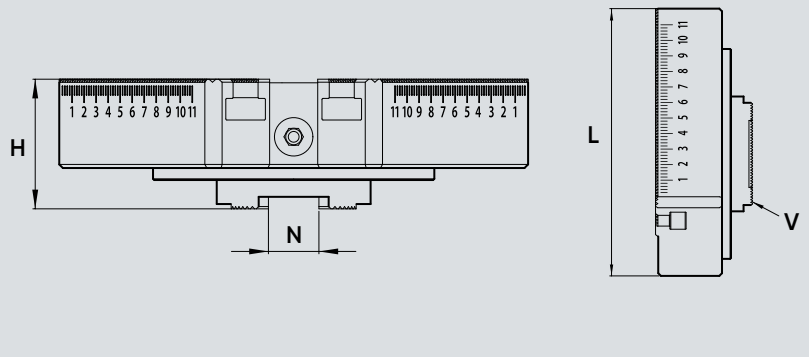
INOZet®

Allgemeine technische Daten
General technical data

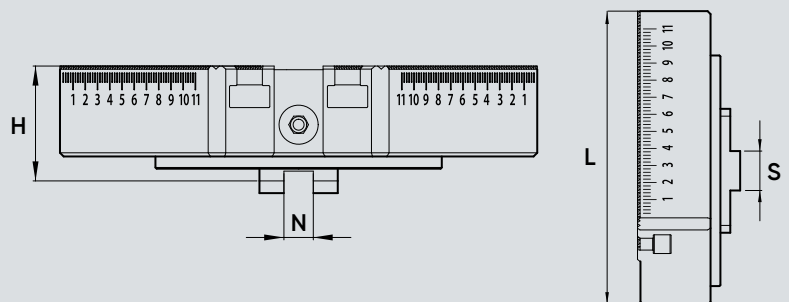
INOZet®	Ident-Nr. ident-no.	max. Drehzahl max. r.p.m. 1/min	Spannk- grip r.
			Außenspannung external clamping min. - max./mm
WT040-4-WV07	750177	*	90 - 400
WT040-4-WV17	750169	*	90 - 400
WT040-4-WV88	750176	*	90 - 400
WT045-WV32	750158	1000	80 - 450
WT045-WV35	750143	1000	80 - 450
WT045-WV80	750144	1000	80 - 450
WT050-WK30	750070	800	85 - 500
WT050-WK32	750071	800	85 - 500
WT050-WK34	705106	800	85 - 500
WT050-4-WV19	750170	*	115 - 500
WT050-WV39	750127	800	85 - 500
WT050-WV85	750056	800	85 - 500
WT050-WV86	750150	800	85 - 500
WT053-WV40	750072	780	100 - 530
WT053-WV41	750125	780	100 - 530
WT063-WK35	750075	650	170 - 630
WT063-WK37	750076	650	170 - 630
WT063-WK38	750116	650	170 - 630
WT063-WK40	750077	650	170 - 630
WT063-WV42	750094	650	170 - 630
WT063-WV90	750051	650	170 - 630
WT063-WV92	750074	650	170 - 630
WT063-4-WV23	750152	650	182 - 630
WT063-4-WV24	750179	*	182 - 630



Spitzverzahnung
Serration



Kreuzversatz
Tongue and groove



*siehe Bedienungsanleitung
*see Operating Manual

INOZet®	Ident-Nr. ident-no.	max. Drehzahl max. r.p.m.	Spannbereich grip range		Schwing- kreis ohne Backen swing with- out jaws	Breite width	Höhe ohne Backen height without jaws	Länge length	Gewicht/ Satz weight / set	Aufsatzbacken- anschluss top-jaw connection	
			Außenspannung external clamping	Innenspannung internal clamping						Spitzver- zahnung serration	Nutbreite slot width
		1/min	min. – max./mm	min. – max./mm	Ø mm	B mm	H mm	L mm	kg	V1 mm	N1 mm
WT063-4-WV25	750180	*	182 – 630	270 – 630	670	280	61	280	54	3,5 x 60°	16
WT070-4-WV89	750173	*	250 – 700	294 – 700	745	314	68	234	86	3,5 x 60°	16
WT080-WK45	750082	450	250 – 800	362 – 800	880	458	74	288	108,6	3,5 x 60°	25
WT080-WK47	750102	450	250 – 800	362 – 800	880	458	74	288	108,6	3,5 x 60°	25
WT080-WK50	750050	450	250 – 800	362 – 800	880	458	74	288	108,6	3,5 x 60°	25
WT080-WK55	750083	450	250 – 800	362 – 800	880	458	74	288	108,6	3,5 x 60°	25
WT080-WV45	750081	450	250 – 800	362 – 800	880	458	77	288	108,6	3,5 x 60°	25
WT080-WV46	750080	450	250 – 800	362 – 800	880	458	77	288	108,6	3,5 x 60°	25
WT080-WV91	750135	450	250 – 800	362 – 800	880	458	77	288	108,6	3,5 x 60°	25
WT080-WV94	750079	450	250 – 800	362 – 800	880	458	77	288	108,6	3,5 x 60°	25
WT080-WV95	750078	450	250 – 800	362 – 800	880	458	77	288	108,6	3,5 x 60°	25
WT080-4-WV42	750165	*	250 – 800	344 – 800	830	345	74	268	103,6	3,5 x 60°	21
WT100-WK59	750126	450	470 – 1000	582 – 1000	1055	558	74	286	138	3,5 x 60°	25
WT100-WK65	750087	450	470 – 1000	582 – 1000	1055	558	74	286	138	3,5 x 60°	25
WT100-WK67	750145	450	470 – 1000	582 – 1000	1055	558	78	286	138	3,5 x 60°	25
WT100-WV96	750052	450	470 – 1000	582 – 1000	1055	558	82	286	138	3,5 x 60°	25
WT100-WV97	750084	450	470 – 1000	582 – 1000	1055	558	82	286	138	3,5 x 60°	25
WT100-4-WV48	750182	*	470 – 1000	582 – 1000	1055	442	77	270	146,4	3,5 x 60°	25
WT100-4-WV83	750178	*	470 – 1000	582 – 1000	1155	442	80	270	146,4	3,5 x 60°	25
WT120-4-WV48	750183	*	500 – 1150	612 – 1150	1200	500	80	281	172	3,5 x 60°	25
WT120-4-WV83	750181	*	500 – 1200	612 – 1200	1300	500	80	281	172	3,5 x 60°	25
WT125-WK64	750128	300	700 – 1250	812 – 1250	1300	695	74	287	177	3,5 x 60°	25
WT125-WK65	750030	300	700 – 1250	812 – 1250	1300	695	74	287	177	3,5 x 60°	25
WT125-WK67	750146	300	700 – 1250	812 – 1250	1300	695	74	287	177	3,5 x 60°	25
WT125-WV96	750088	300	700 – 1250	812 – 1250	1300	695	82	287	177	3,5 x 60°	25
WT125-WV97	750089	300	700 – 1250	812 – 1250	1300	695	82	287	177	3,5 x 60°	25



INOZet®

Greiferbacken, hart Hard adjustagrip-jaws

UNI Jaws® Nutensteine siehe Seite 55 und Auflagebolzen siehe Seite 75

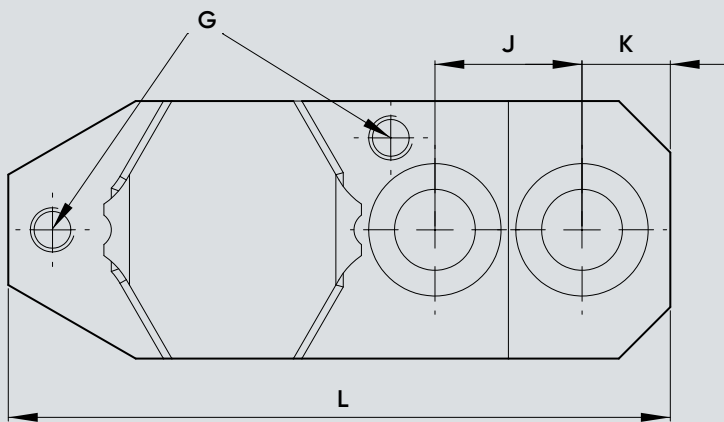
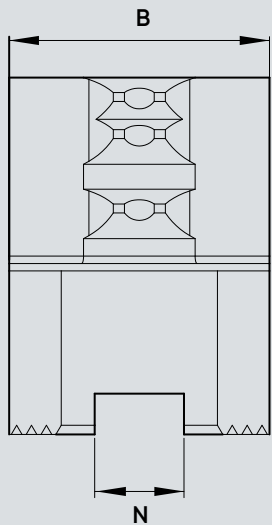
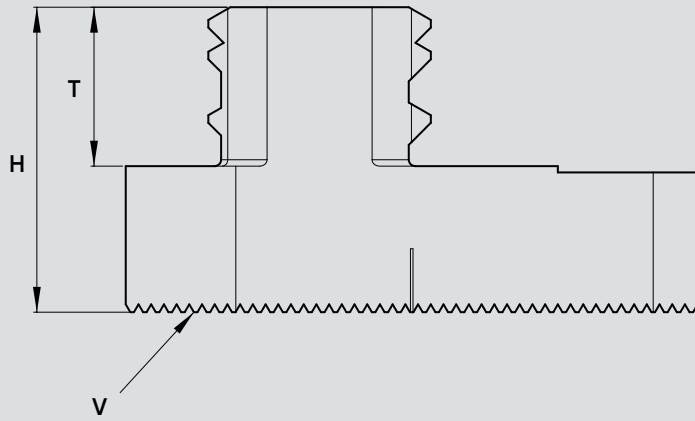
UNI Jaws® t-Nuts see pages 55 and height pins see page 75

Passend für <i>compatible to</i>	Backentyp <i>jaw type</i>	Ident-Nr. <i>ident-no.</i>	Abmaße <i>dimensions</i>			Bohrungsabstände <i>hole spacing</i>		Spannbereich <i>grip range</i>	
			Breite <i>width</i>	Höhe <i>height</i>	Länge <i>length</i>	K mm	J mm	Außenspannung <i>external clamping</i>	Innenspannung <i>internal clamping</i>
			B mm	H mm	L mm			min. – max./ mm	min. – max./ mm
WT021	WU10	760010	27	35	73,5	10	18	50 – 210	110 – 210
WT022								50 – 225	110 – 225
WT025-4	WU10-8	760011	27	35	73,5	10	18	63 – 260	123 – 260
WT025	WU12	760012	35	48	90	12	20	60 – 250	134 – 250
WT031								65 – 315	139 – 315
WT031-21								65 – 315	139 – 315
WT031-4	WU12-8	760013	35	48	90	12	20	82 – 315	156 – 315
WT038	WU16*	760016	38	50	106	13	30	70 – 380	158 – 380
WT040								70 – 400	158 – 400
WT040-20								80 – 400	168 – 400
WT045								80 – 450	168 – 450
WT038	WR16	760161	38	50	105	13	30	70 – 380	158 – 380
WT040								70 – 400	158 – 400
WT040-20								80 – 400	168 – 400
WT045								80 – 450	168 – 450
WT040-4	WR16-8	760162	38	50	105	13	30	90 – 400	178 – 400
WT050-4								115 – 500	203 – 500
WT063-4								182 – 630	270 – 630
WT070-4								250 – 700	294 – 700
WT050	WR21	760121	48	60	126	18	30	85 – 500	179 – 500
WT053								100 – 530	194 – 530
WT063								170 – 630	264 – 630
WT080-4	WR21-8	760122	48	60	126	18	30	250 – 800	344 – 800
WT080	WR25	760125	58	90	175	21	60	250 – 800	362 – 800
WT100								470 – 1000	582 – 1000
WT125								700 – 1250	812 – 1250
WT100-4	WR25-8	760126	58	90	175	21	60	470 – 1000	582 – 1000
WT120-4								500 – 1150/1200	612 – 1150/1200

INOZet®

Greiferbacken
Adjustagrip-jaws

* bis 2012
* until 2012



Größe e	Nutenstein t-nut	Werkstoff material	Gewicht pro Satz weight per set
			kg
	GP05	16MnCr5	1,8
	GP05	16MnCr5	2,4
	GP07	16MnCr5	5,3
	GP07	16MnCr5	7,0
	GP11	16MnCr5	7,7
	GP11	16MnCr5	7,7
	GP11	16MnCr5	10,3
	GP13	16MnCr5	12,6
	GP13	16MnCr5	16,9
	GP21	16MnCr5	19,6
	GP21	16MnCr5	26,1

INOZet®



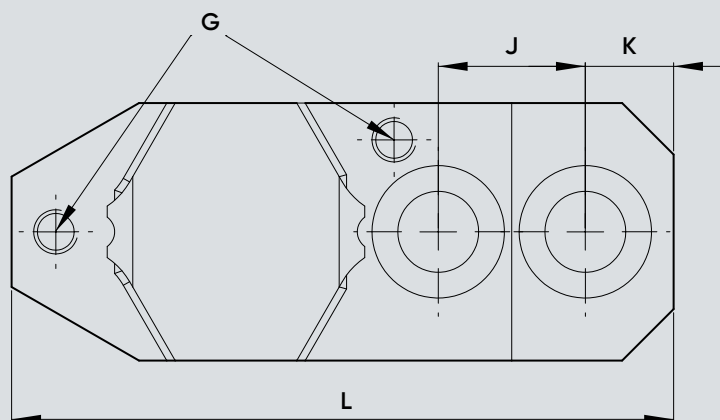
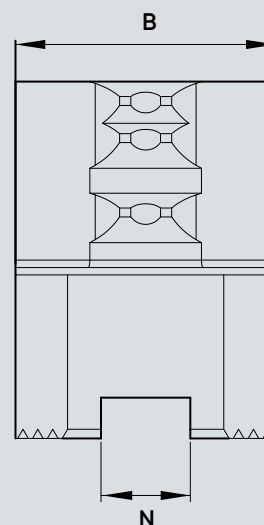
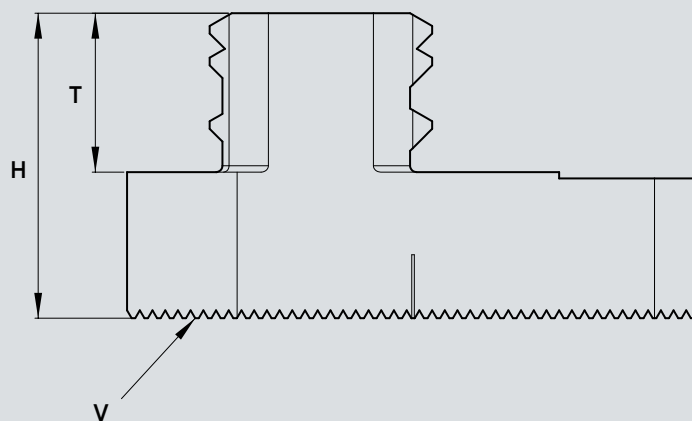
INOZet®

Greiferbacken, hart
Hard adjustagrip-jaws

Passend für <i>compatible to</i>	Backentyp <i>jaw type</i>	Ident-Nr. <i>ident-no.</i>	Abmaß <i>dimens</i>
			Breite <i>width</i> B mm
WT021	WU10	760010	27
WT022			
WT025-4	WU10-8	760011	27
WT025			
WT031	WU12	760012	35
WT031-21			
WT031-4			
WT038	WU16*	760016	38
WT040			
WT040-20			
WT045			
WT045			
WT038	WR16	760161	38
WT040			
WT040-20			
WT045			
WT045			
WT040-4	WR16-8	760162	38
WT050-4			
WT063-4			
WT070-4	WR21	760121	48
WT050			
WT053			
WT063	WR21-8	760122	48
WT080-4			
WT080	WR25	760125	58
WT100			
WT125	WR25-8	760126	58
WT100-4			
WT120-4			

INOZet®

Greiferbacken
Adjustagrip-jaws



Spitzverzahnung serration	Nutbreite slot width	Einspanntiefe clamping depth	Schwingkreis swing diameter	Gewindegröße thread size	Nutenstein t-nut	Werkstoff material	Gewicht pro Satz weight per set
V mm	N mm	T mm	SK Ø mm	G mm			kg
2.0mm x 60°	10	15	295	M5	GP05	16MnCr5	1,8
			310				
2.0mm x 60°	10	15	355	M5	GP05	16MnCr5	2,4
2.0mm x 60°	12	25	355	M6	GP07	16MnCr5	5,3
			420				
			420				
2.0mm x 60°	12	25	420	M6	GP07	16MnCr5	7,0
2.0mm x 60°	16	25	490	M6	GP11	16MnCr5	7,7
			510				
			560				
			560				
3.5mm x 60°	16	25	490	M6	GP11	16MnCr5	7,7
			510				
			560				
			560				
3.5mm x 60°	16	25	510	M6	GP11	16MnCr5	10,3
			610				
			740				
			810				
3.5mm x 60°	21	30	635	M8	GP13	16MnCr5	12,6
			665				
			765				
3.5mm x 60°	21	30	935	M8	GP13	16MnCr5	16,9
3.5mm x 60°	25	30	955	M8	GP21	16MnCr5	19,6
			1155				
			1405				
3.5mm x 60°	25	30	1155	M8	GP21	16MnCr5	26,1
			1355				

INOZet®

Weiche Aufsatzbacken

Soft top-jaws

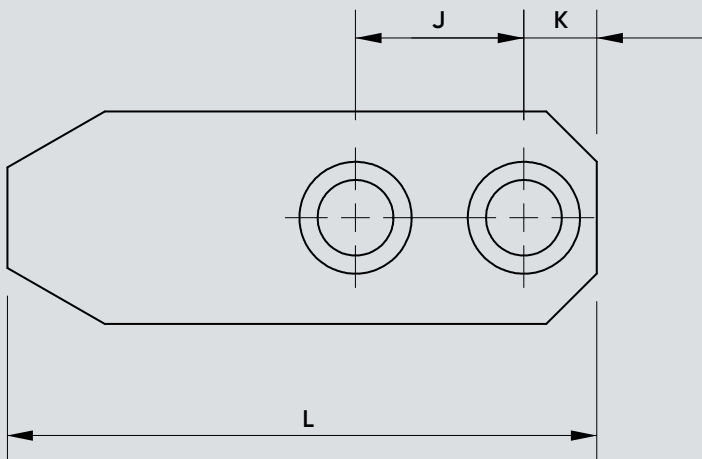
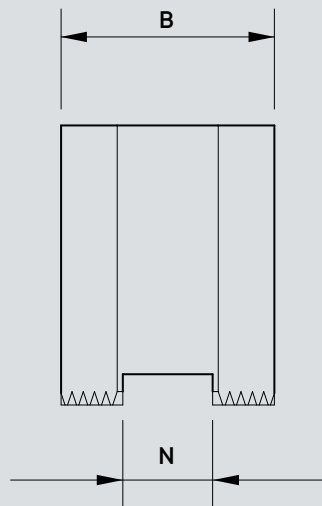
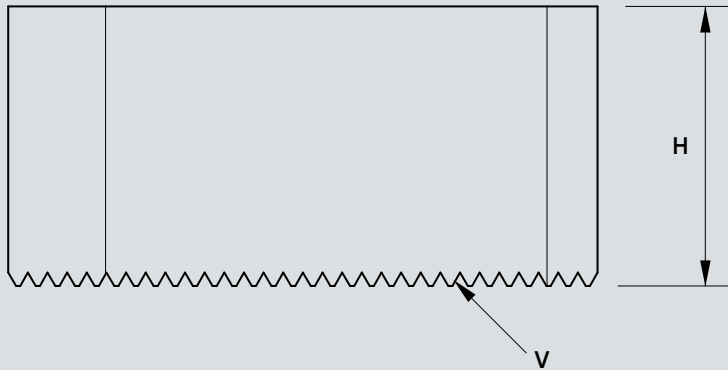
* bis 2012

* until 2012

Passend für compatible to	Backen- typ jaw type	Ident-Nr. ident-no.	Abmaße dimensions			Bohrungsabstände hole spacing		Spitzverzäh- nung serration	Nutbreite slot width	Nutenstein t-nut	Werkstoff material	Typ type	Gewicht pro Satz weight per set kg
			Breite width	Höhe height	Länge length	K mm	J mm						
			B mm	H mm	L mm								
WT022	WI10	770010	27	35	80	10	18	2,0mm x 60°	10	GP05	16MnCr5	I	2,6
	WI30	770030	27	35	80	10	18	2,0mm x 60°	10	GP05	Aluminium	I	0,9
	WI31	770031	27	35	80	31	18	2,0mm x 60°	10	GP05	16MnCr5	I	2,5
	WI32	770032	40	35	80	10	18	2,0mm x 60°	10	GP05	Aluminium	I	1,5
	WI33	770033	27	50	80	10	18	2,0mm x 60°	10	GP05	Aluminium	I	1,4
WT025-4	WI10-8	770011	27	35	80	10	18	2,0mm x 60°	10	GP05	16MnCr5	I	3,4
WT025 WT031	WI12	770012	35	48	90	12	20	2,0mm x 60°	12	GP07	16MnCr5	I	5,3
	WI40	770040	35	48	90	12	20	2,0mm x 60°	12	GP07	Aluminium	I	1,8
	WI41	770041	35	48	90	35	20	2,0mm x 60°	12	GP07	16MnCr5	I	5,1
	WI42	770042	50	48	90	12	20	2,0mm x 60°	12	GP07	Aluminium	I	2,9
	WI43	770043	35	70	90	12	20	2,0mm x 60°	12	GP07	Aluminium	I	2,8
WT031-4	WI12-8	770013	35	48	90	12	20	2,0mm x 60°	12	GP07	16MnCr5	I	7,0
WT038 WT040 WT045	WI16 *	770016	38	50	106	13	30	2,0mm x 60°	16	GP11	16MnCr5	I	7,8
	WI50 *	770050	38	50	106	13	30	2,0mm x 60°	16	GP11	Aluminium	I	2,5
	WI51 *	770051	38	50	106	38	30	2,0mm x 60°	16	GP11	16MnCr5	I	6,8
	WI52 *	770052	60	50	106	13	30	2,0mm x 60°	16	GP11	16MnCr5	I	12,4
	WI53 *	770053	38	75	106	13	30	2,0mm x 60°	16	GP11	16MnCr5	I	10,7
WT038 WT040 WT045	WP16	770116	38	50	105	13	30	3,5mm x 60°	16	GP11	16MnCr5	I	7,7
	WP50	770150	38	50	105	13	30	3,5mm x 60°	16	GP11	Aluminium	I	2,5
	WP51	770151	38	50	105	38	30	3,5mm x 60°	16	GP11	16MnCr5	I	6,9
	WP52	770152	60	50	105	13	30	3,5mm x 60°	16	GP11	16MnCr5	I	12,3
	WP53	770153	38	75	105	13	30	3,5mm x 60°	16	GP11	16MnCr5	I	10,6
WT040-4 WT050-4 WT063-4 WT070-4	WP16-8	770117	38	50	105	13	30	3,5mm x 60°	16	GP11	16MnCr5	I	10,3
WT050 WT053 WT063	WP21	770121	48	60	126	18	30	3,5mm x 60°	21	GP13	16MnCr5	II	12,6
	WP60	770160	48	60	126	18	30	3,5mm x 60°	21	GP13	Aluminium	II	4,4
	WP61	770161	48	60	126	48	30	3,5mm x 60°	21	GP13	16MnCr5	II	12,6
	WP62	770162	70	60	126	18	30	3,5mm x 60°	21	GP13	16MnCr5	I	19,0
	WP63	770163	48	90	126	18	30	3,5mm x 60°	21	GP13	16MnCr5	I	19,2

INOZet®

Weiche Aufsatzbacken - Typ I
Soft top-jaws - type I



NIJaws® Nutensteine siehe Seite 55 und Auflagebolzen siehe Seite 75
UNIJaws® t-Nuts see pages 55 and height pins see page 75

Nutbreite slot width	Nutenstein t-nut	Werkstoff material	Typ type	Gewicht pro Satz weight per set
N mm				kg
21	GP13	16MnCr5	II	16,9
25	GP21	16MnCr5	II	32,5
25	GP21	Aluminium	II	11,4
25	GP21	16MnCr5	I	32,3
25	GP21	16MnCr5	I	51,9
25	GP21	16MnCr5	II	47,3
25	GP21	16MnCr5	II	43,3

* bis 2012
* until 2012

Passend für suitable for
VG10 VG12 VR10 WU10 WU10-8
VG16 VR12 VR16 WU12 WU12-8 WU16* WR16 WR16-8
VG21 VG25 VR21 WR21 WR21-8 WR25 WR25-8 LC-Typen MC-Typen

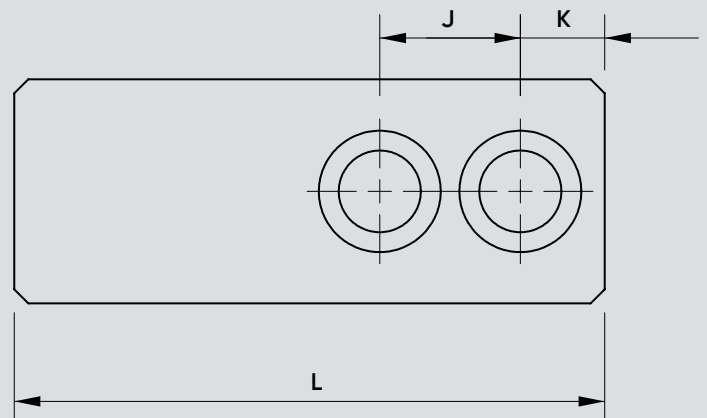
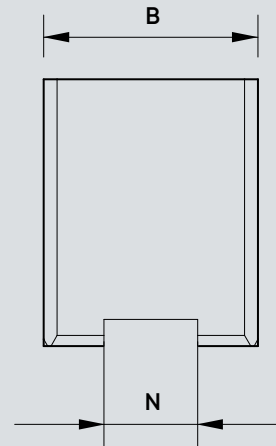
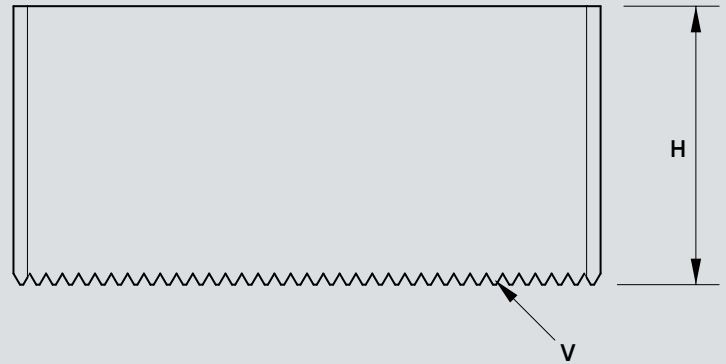
INOZet®

Weiche Aufsatzbacken Soft top-jaws

INOZet®

Weiche Aufsatzbacken - Typ II
Soft top-jaws - type II

Passend für compatible to	Backen- typ jaw type	Ident-Nr. ident-no.	Abmaße dimensions		
			Breite width	Höhe height	Länge length
			B mm	H mm	L mm
WT022	WI10	770010	27	35	80
	WI30	770030	27	35	80
	WI31	770031	27	35	80
	WI32	770032	40	35	80
	WI33	770033	27	50	80
WT025-4	WI10-8	770011	27	35	80
WT025 WT031	WI12	770012	35	48	90
	WI40	770040	35	48	90
	WI41	770041	35	48	90
	WI42	770042	50	48	90
	WI43	770043	35	70	90
WT031-4	WI12-8	770013	35	48	90
WT038	WI16 *	770016	38	50	106
WT040 WT045	WI50 *	770050	38	50	106
	WI51 *	770051	38	50	106
	WI52 *	770052	60	50	106
	WI53 *	770053	38	75	106
WT038 WT040 WT045	WP16	770116	38	50	105
	WP50	770150	38	50	105
	WP51	770151	38	50	105
	WP52	770152	60	50	105
	WP53	770153	38	75	105
WT040-4 WT050-4 WT063-4 WT070-4	WP16-8	770117	38	50	105
WT050 WT053 WT063	WP21	770121	48	60	126
	WP60	770160	48	60	126
	WP61	770161	48	60	126
	WP62	770162	70	60	126
	WP63	770163	48	90	126



INOZet®

Weiche Aufsatzbacken

Soft top-jaws

UNIJaws® Nutensteine siehe Seite 55 und Auflagebolzen siehe Seite 75

UNIJaws® t-Nuts see pages 55 and height pins see page 75

Passend für compatible to	Backen- typ jaw type	Ident-Nr. ident-no.	Abmaße dimensions			Bohrungsabstände hole spacing		Spitzverzahnung serration	Nutbreite slot width	Nutenstein t-nut	Werkstoff material	Typ type	Gewicht pro Satz weight per set kg													
			Breite width B mm	Höhe height H mm	Länge length L mm	K mm	J mm																			
WT080-4	WP21-8	770122	48	60	126	18	30	3,5mm x 60°	21	GP13	16MnCr5	II	16,9													
WT080	WP25	770125	58	90	175	21	60	3,5mm x 60°	25	GP21	16MnCr5	II	32,5													
WT100	WP70	775025	58	90	175	21	60	3,5mm x 60°	25	GP21	Aluminium	II	11,4													
WT125														WP71	770128	58	90	175	57,5	60	3,5mm x 60°	25	GP21	16MnCr5	I	32,3
														WP72	770172	85	90	175	21	60	3,5mm x 60°	25	GP21	16MnCr5	I	51,9
														WP73	770173	58	130	175	21	60	3,5mm x 60°	25	GP21	16MnCr5	II	47,3
WT100-4 WT120-4	WP25-8	770126	58	90	175	21	60	3,5mm x 60°	25	GP21	16MnCr5	II	43,3													

Auflagebolzen

Height pins

* bis 2012

* until 2012

Typ type	Identnummer ident no.	G	H	SW	Passend für suitable for
IR05	229014	M5	5	8	VG10 VG12 VR10 WU10 WU10-8
IR10	229015		10		
IR15	229016		15		
IR20	229017		20		
IT05	229004	M6	5	10	VG16 VR12 VR16 WU12 WU12-8 WU16* WR16 WR16-8
IT10	229005		10		
IT15	229006		15		
IT20	229007		20		
IT25	229003		25		
IU05	229008	M8	5	13	VG21 VG25 VR21 WR21 WR21-8 WR25 WR25-8 LC-Typen MC-Typen
IU10	229009		10		
IU15	229010		15		
IU20	229011		20		
IU25	229012		25		
IU30	229013		30		